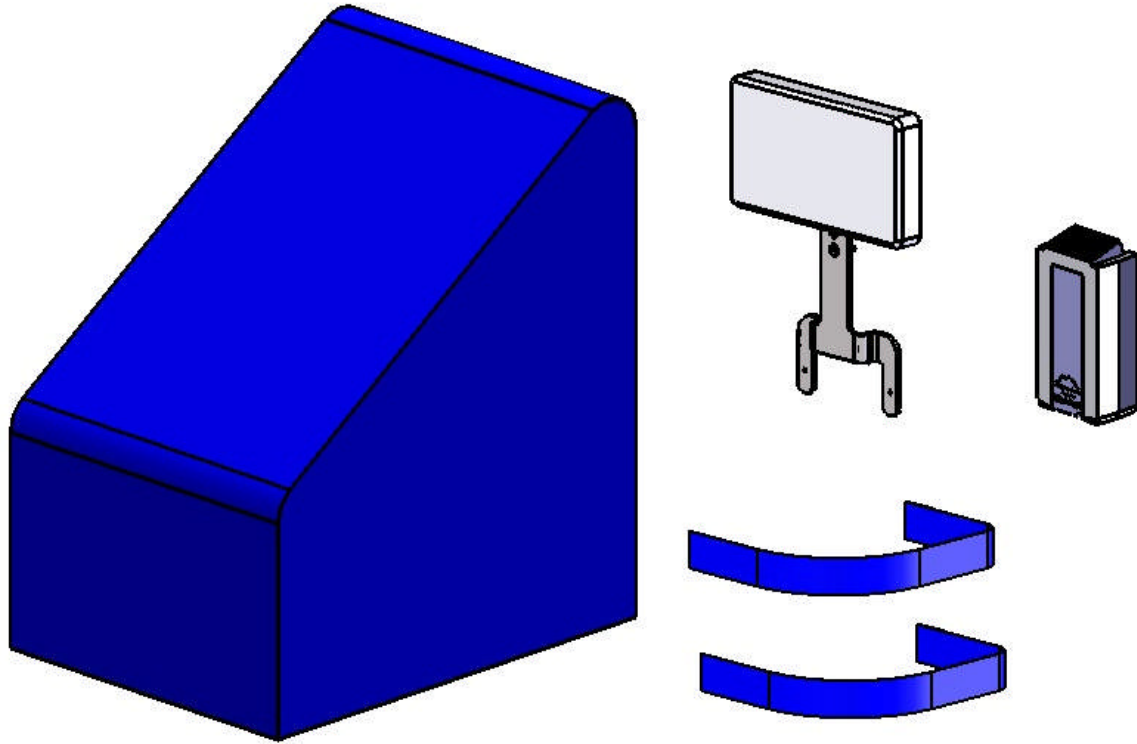




Aqua Creek Products

The Total Solution for Pool and Spa Access



PATRIOT™ UPGRADE KIT

PART NUMBER: F-12PPAP

INSTALLATION INSTRUCTIONS

MANDATORY – LEAVE THIS MANUAL WITH LIFT OWNER

- WARNING -

IMPORTANT SAFETY INSTRUCTIONS

- 1. READ AND FOLLOW ALL INSTRUCTIONS. LIFT SAFETY CAN ONLY BE ENSURED IF THE LIFT IS INSTALLED AND OPERATED PROPERLY – ACCORDING TO THESE INSTRUCTIONS.**
- 2. TO REDUCE THE RISK OF INJURY, DO NOT PERMIT CHILDREN TO USE THIS PRODUCT UNLESS THEY ARE CLOSELY SUPERVISED AT ALL TIMES.**
- 3. DO NOT PERMIT CHILDREN TO PLAY ON OR AROUND THIS PRODUCT.**
- 4. NEVER APPLY DIRECT WATER PRESSURE TO THE ELECTRONIC COMPONENTS.**
- 5. SAVE A COPY OF THESE INSTRUCTIONS IN A SAFE AND EASILY ACCESSIBLE PLACE.**

AQUA CREEK PRODUCTS

9889 GARRYMORE LANE

MISSOULA, MT 59808

1-888-687-3552

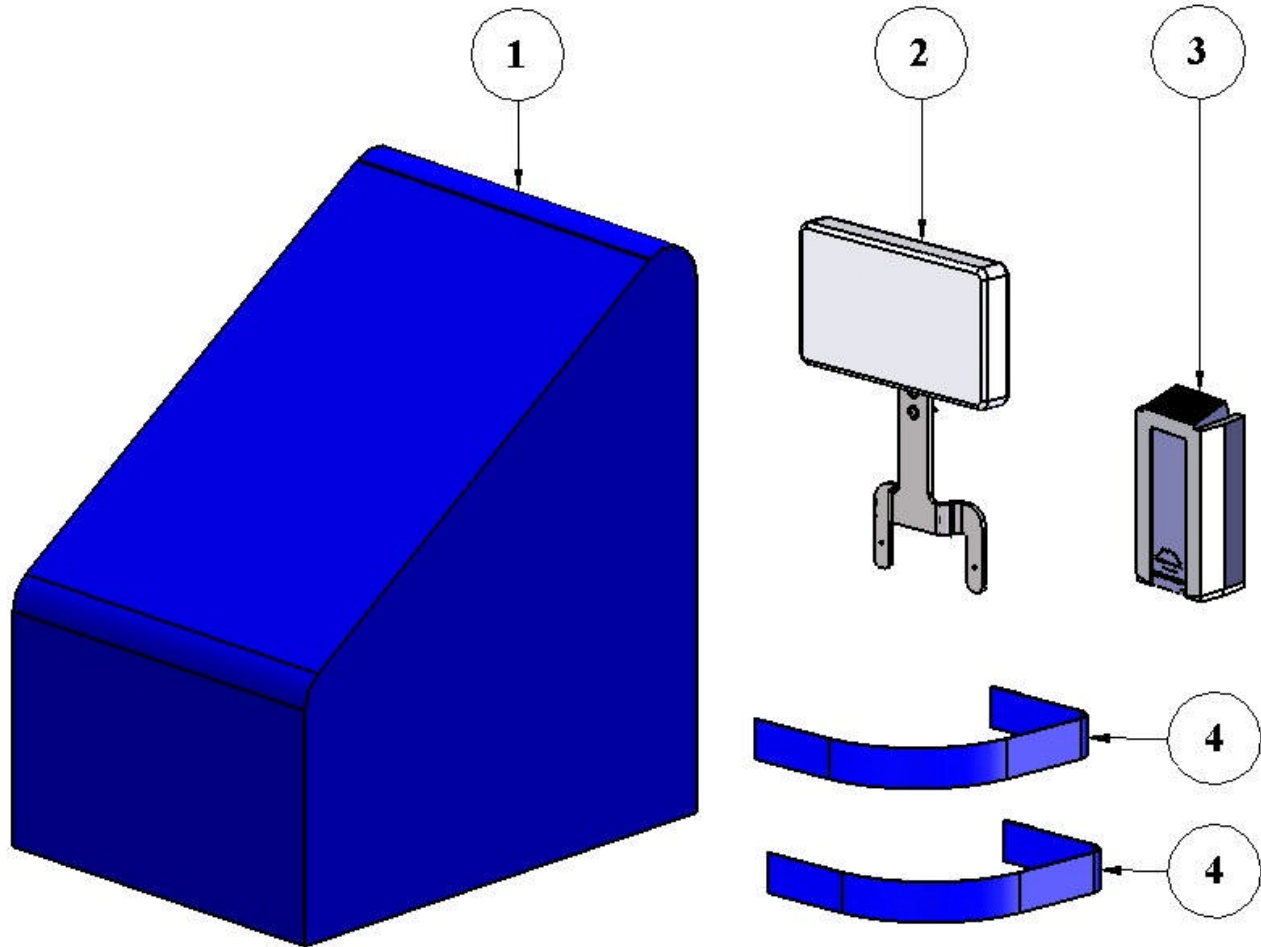
FAX: 406-549-2602

FEB 2012

THE PATRIOT UPGRADE KIT

The Patriot Upgrade Kit includes the items shown below.

- [1] PATRIOT COVER (F-12PPC)
- [2] HEADREST ASSEMBLY (F-422PLH)
- [3] 24V BATTERY (F-004AB)
- [4] CHEST STRAP(S) (F-423CS)



The Safety Cover protects the pool-lift from the elements and helps limit unauthorized use. The headrest is easy to install and remove, and is adjustable for ultimate comfort. The (2nd) battery allows one battery to always be on the charger, and the chest straps provide additional security for special needs. The instructions on the following pages show how to install and use these accessories to maximum advantage.

F-12PPC: PATRIOT COVER INSTALLATION

The Patriot Cover fits over the pool-lift portion of the Patriot lift, and the unit needs to be in the TRANSPORT mode, with the lift on the cart, in order to install the cover. The two photos below show the cover being placed over the lift, and the lift with the cover installed.



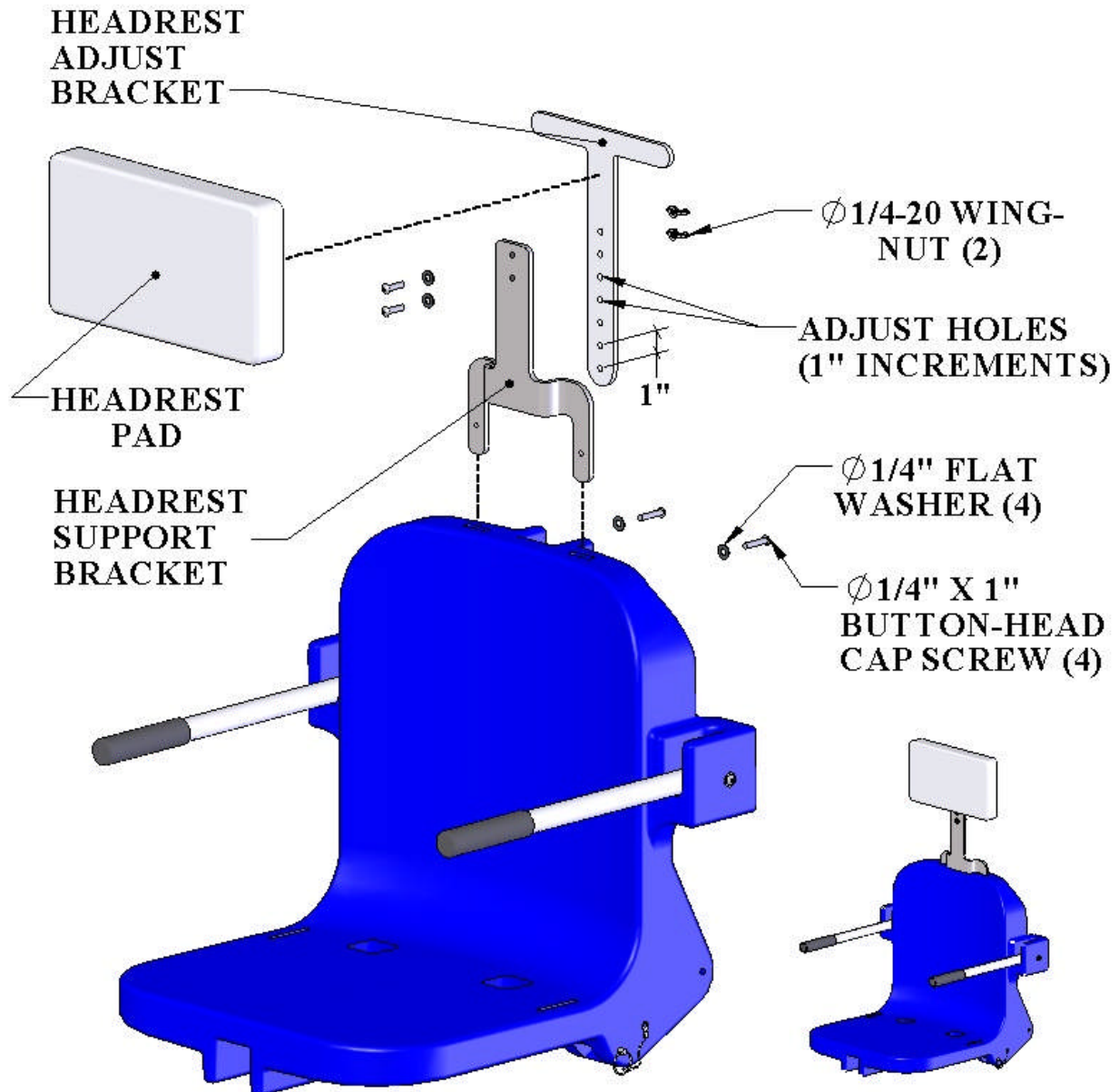
WITH THE LIFT ON THE CART PULL THE COVER OVER THE LIFT



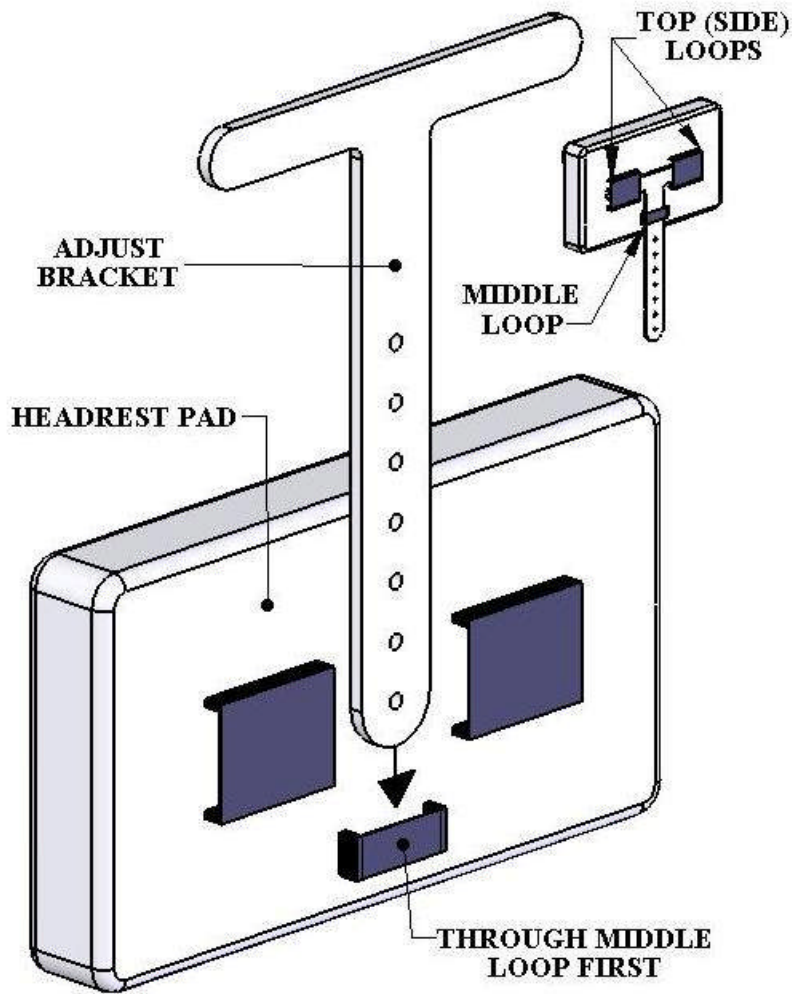
COVER IS OVER THE LIFT & HANDLE; USE THE DRAW-STRING TO TIGHTEN

F-422PLH: HEADREST ASSEMBLY INSTALLATION

The HEADREST ASSEMBLY attaches directly to the chair assembly, and is adjustable for optimum comfort. The components of the HEADREST ASSEMBLY are shown below, along with the chair to show how it attaches. The wing-nuts allow for quick adjustment without having to remove the assembly from the chair. The headrest pad is also removable for cleaning. Look over the diagram below to familiarize yourself with the components before installing and using the HEADREST ASSEMBLY.



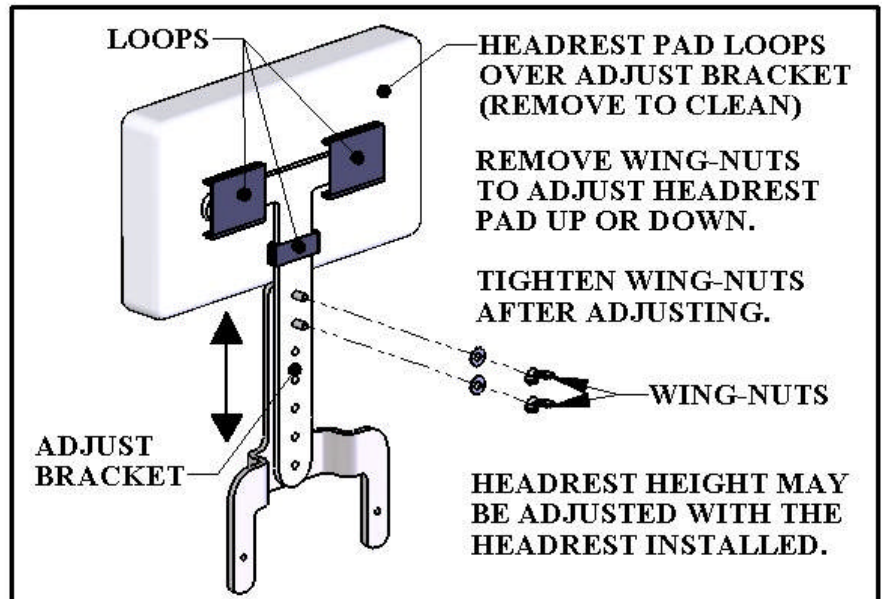
INSTALLING THE HEADREST PAD



The ADJUST BRACKET must be removed from the assembly to install or remove the HEADREST PAD. When installing the pad thread the bracket through the middle loop first and slide the pad up to the top loops. Thread the bracket through the top loops (one at a time) to complete the installation. To remove the pad, reverse this procedure.

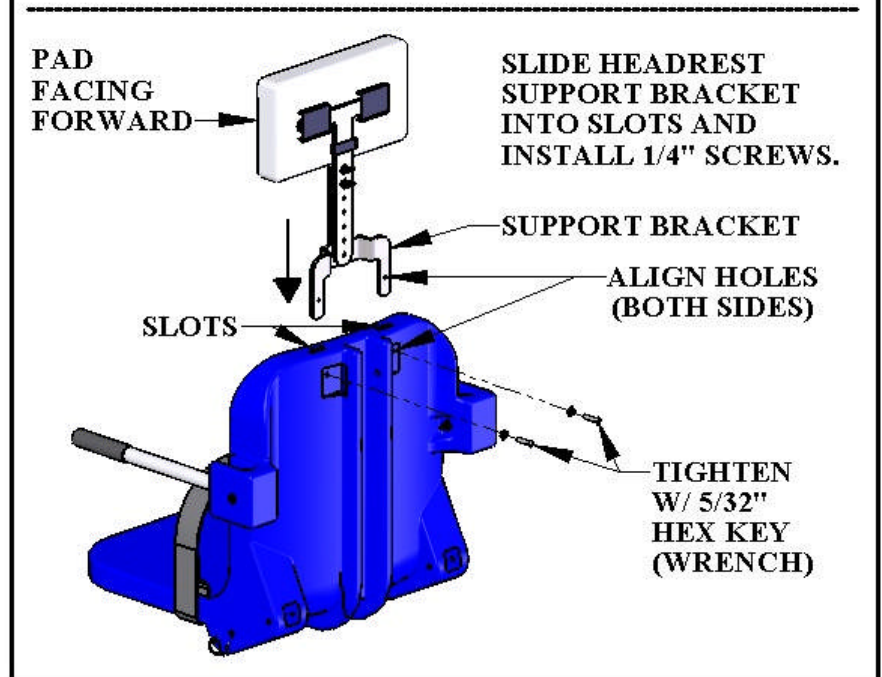
INSTALLING THE HEADREST ASSEMBLY

1] If the HEADREST PAD has not yet been installed install it first. The pad height may be adjusted now, or after the assembly has been attached to the chair. Assemble fully as shown in the diagram to the right.



2] Slide the SUPPORT BRACKET into the slots on the top of the chair and align the holes for the 1/4" hardware. Install the hardware and tighten with a 5/32" hex key or wrench.

The INTEGRATED HEADREST ASSEMBLY is now ready to adjust and use.

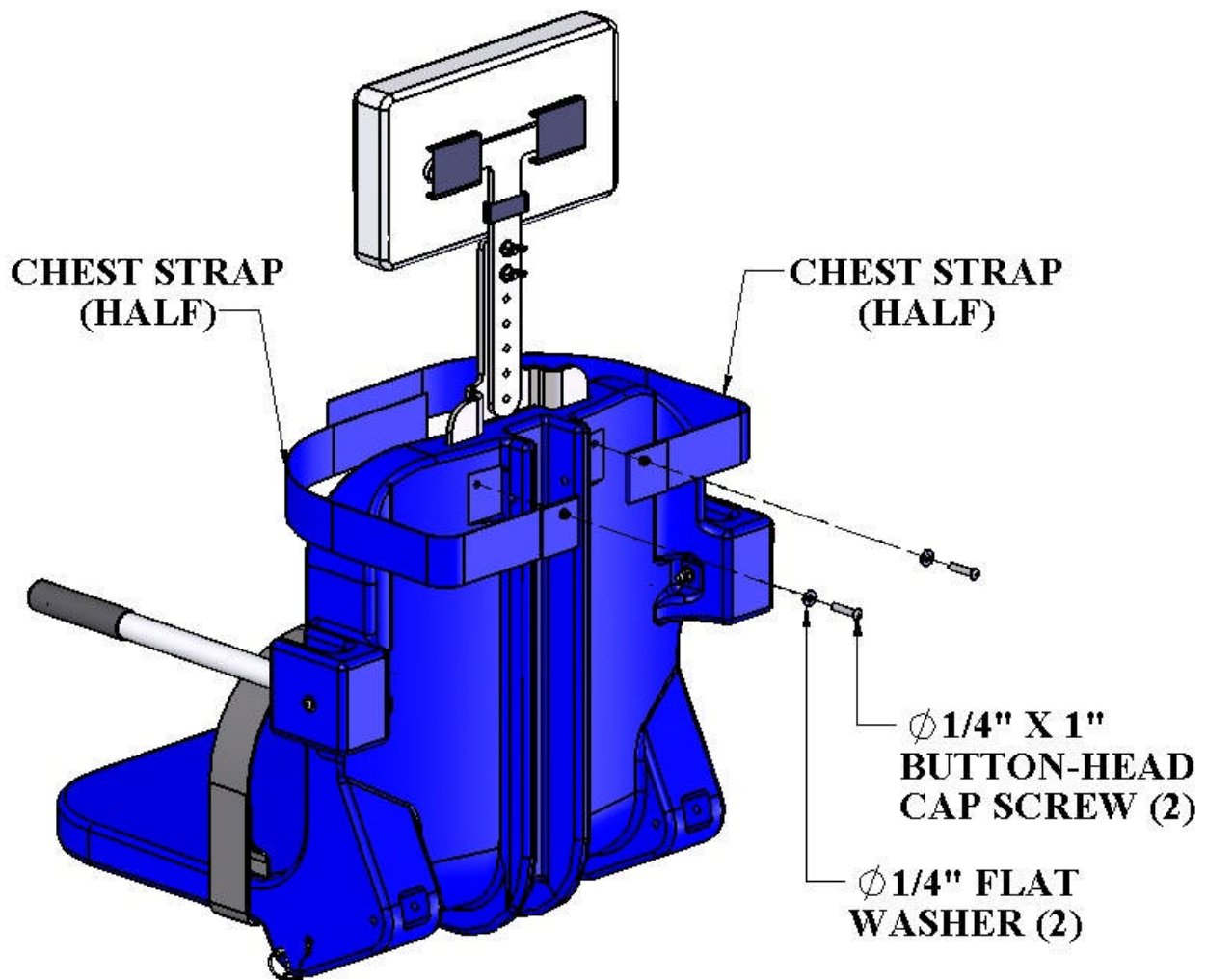


NOTE: The INTEGRATED HEADREST ASSEMBLY will work on all 2nd generation 18" wide Aqua Creek Products' chairs*. The 18" chair comes standard on all Aqua Creek Products' Scout™, Ranger™, Pro Pool™, Rebel™ and Patriot™ pool lifts.

*(The 2nd generation 18" wide chair has the slots for the INTEGRATED HEADREST, where the 1st generation 18" wide chair does not).

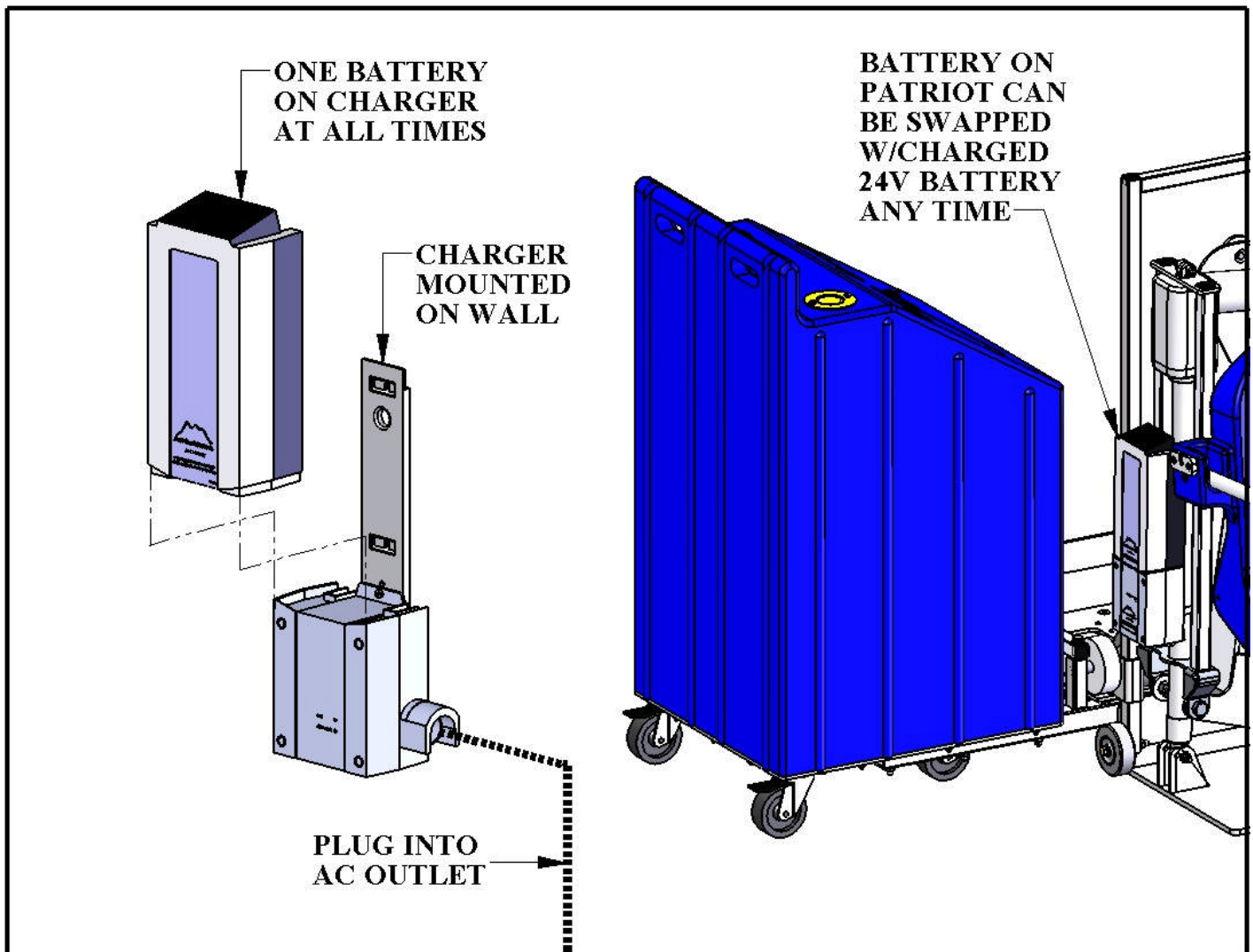
F-423CS: CHEST-STRAP INSTALLATION

The Chest Strap is installed with the same screws and holes as the Headrest assembly. Remove the ¼" x 1" button-head cap screws and washers from the back of the chair and use them to install the chest strap as shown below. The chest strap is fastened with hooks & loops, so make sure they face each other when the straps are installed.



F-004AB: 2ND BATTERY INSTRUCTIONS

The Patriot-AT comes with one 24V Battery and a wall charger unit. This kit includes a 2nd 24V Battery, which allows one battery to be on the unit while the other is on the charger. To take full advantage of the 2nd battery; one battery should always be kept on the charger. This should ensure that if the battery on the lift becomes depleted during use a charged battery is always available.



To recharge the battery, simply grip the top of the battery and depress the clip on the back of the battery. This will unclip the battery from the control box bracket and the battery can then be clipped into the wall mount charger. When the **charger** is plugged in the green **ON** light will illuminate. When the **battery** is correctly mounted to the charger, the orange **CHARGE** light will illuminate. When the battery is fully charged, the **CHARGE** light will **GO OFF** and the battery is ready to use. The battery charger will automatically shut off when the battery is fully charged, so the battery can stay on the charger any time it is not being used.

BATTERY MAINTENANCE

1. **RECHARGE THE BATTERY AS OFTEN AS POSSIBLE.** The battery power unit is a sealed lead acid battery pack. Frequent recharges will prolong the battery life and maintain a high cold amperage capacity.
2. Do NOT expose the battery to freezing temperatures.
3. Do NOT expose the battery to prolonged periods of extreme heat or severe cold temperatures.
4. Do NOT expose the battery to long periods of direct sunlight. Heat will shorten your battery life. Optimum operating temperature is below 20 degrees Celsius (68 degrees F.)
5. Never drop or bump the battery pack. This may result in loose or damaged internal connections, and may bend the battery terminals.
6. Keep battery terminals clean and free from dirt and corrosion to ensure good contact. The terminals may be cleaned using Scotch Brite or any similar product. Clean off any corrosion or discoloration on the very top surfaces of the battery contacts and then apply dielectric grease (supplied with lift) as shown in the figure below.

