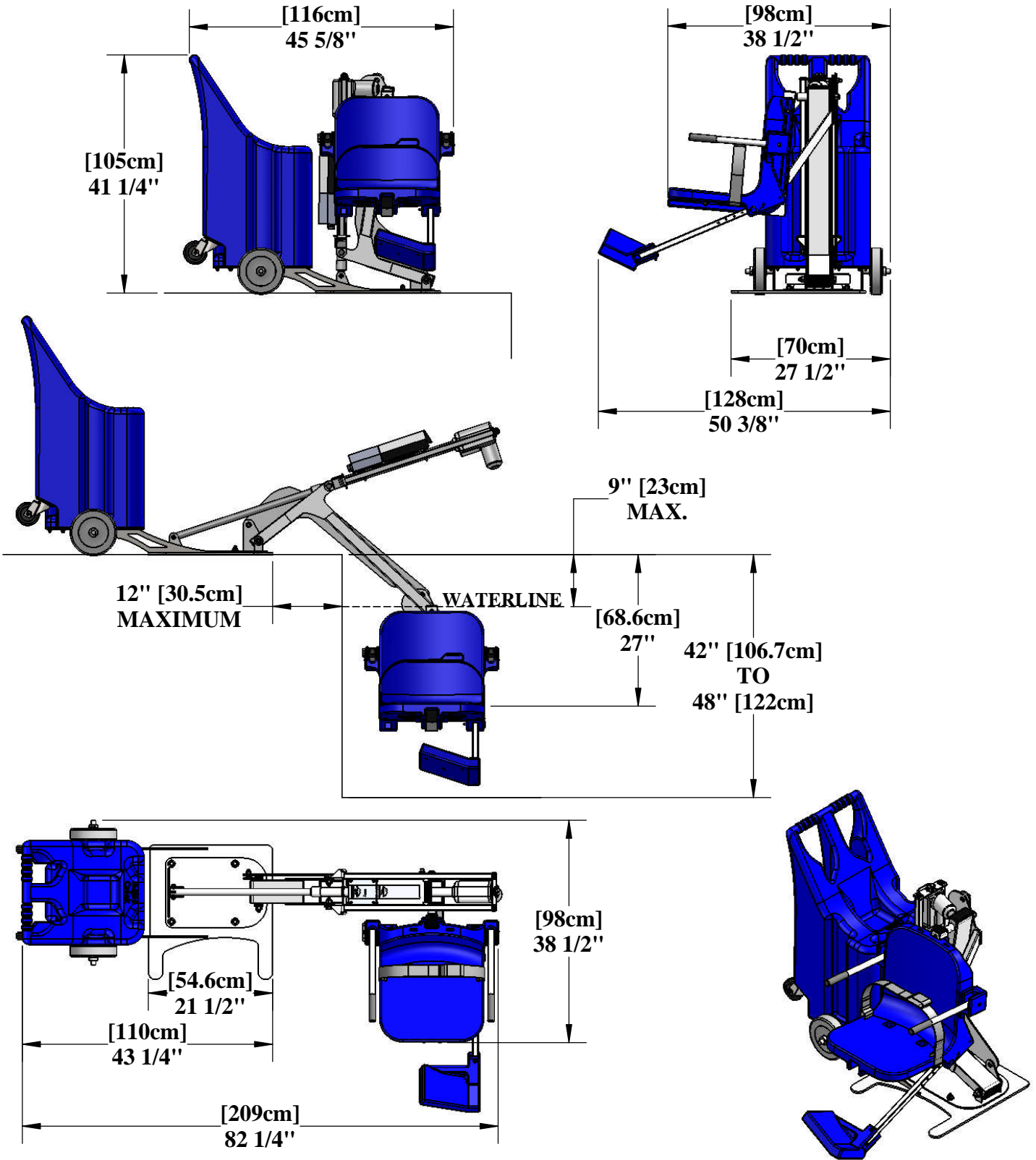


# AT-PORTABLE™ POOL LIFT

U.S. PATENT NO'S: [7,249,386 B2] [5,790,995] [D507,769 S]



  
**Aqua Creek Products**  
 The Total Solution for Pool and Spa Access

9889 GARRYMORE LANE  
 MISSOULA, MT 59808  
 (406) 549-0769  
 FAX (406) 549-2602

NOTE:  
 \*SPECIFICATIONS ARE SUBJECT TO CHANGE WITHOUT NOTICE

PRODUCT:	<b>F-004PPPB-AT1</b>	
DWG #:	<b>F-004PPPB-AT1-1</b>	
SCALE:	<b>1:24</b>	DATE: <b>7/26/12</b>
DRAWN BY:	<b>DS</b>	REVISION: <b>A</b>

# AT-PORTABLE™ POOL LIFT

U.S. PATENT NO'S: [7,249,386 B2] [5,790,995] [D507,769 S]

## SPECIFICATIONS:

**LIFTING CAPACITY:** 400 lbs [181 kg]  
**STATIC LOAD CAPACITY:** 600 lbs [272 kg]

**MAX. DRAFT (DECK TO WATER):** 9.0" [23cm]  
**MAX. SETBACK (SEE PAGE 1):** 12" [305mm]

**OVERALL HEIGHT (MAX):** 41-1/4" [105cm]  
**MAX. WIDTH (DEPLOYED):** 49-5/8" [126cm]  
**MAX. LENGTH (DEPLOYED):** 82-14" [209cm]  
**STOWED LENGTH (MAX):** 45-5/8" [116cm]  
**STOWED WIDTH (CHAIR ON):** 38-1/4" [97cm]

**WEIGHT (WITHOUT BALLAST-WEIGHTS):** 275lbs [125kg]  
**WEIGHT (WITH 14, 50LB WEIGHTS):** 975lbs [442kg]

### **MATERIALS:**

**LIFT FRAME:** TYPE 304 STAINLESS STEEL  
**PORTABLE CART:** TYPE 304 STAINLESS STEEL & POLYETHYLENE  
**COVER/HANDLE:** LLDPE POLYETHYLENE  
**BALLAST MATERIAL:** FOURTEEN (14) 50LB [22.7kg] STEEL PLATES  
**CHAIR & FOOTREST:** LLDPE POLYETHYLENE  
**SAFETY BELT:** HEAVY-DUTY POLYESTER STRAP, HOOK & LOOP FASTENER  
**POWDER COATING:** EPOXY, APPLIANCE WHITE

### **STANDARD EQUIPMENT:**

**DUAL FLIP-UP ARMRESTS, FLIP-UP FOOTREST, SAFETY BELT**

### **AVAILABLE OPTIONS:**

**HEADREST ASSEMBLY** (PN: F-422PLH)  
**PULLOUT LEGREST:** (PN: F-105LAR)  
**COVER, LOCKING** (PN: F-12PPC)



9889 GARRYMORE LANE  
MISSOULA, MT 59808  
(406) 549-0769  
FAX (406) 549-2602

NOTE:  
\*SPECIFICATIONS ARE SUBJECT TO CHANGE WITHOUT NOTICE

<b>PRODUCT:</b> F-004PPPB-AT1	
<b>DWG #:</b> F-004PPPB-AT1-2	
<b>SCALE:</b> 1:24	<b>DATE:</b> 7/26/12
<b>DRAWN BY:</b> DS	<b>REVISION:</b> A