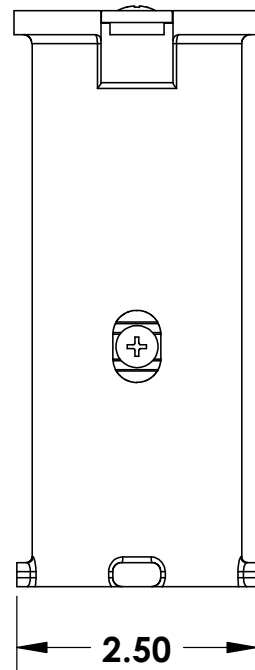
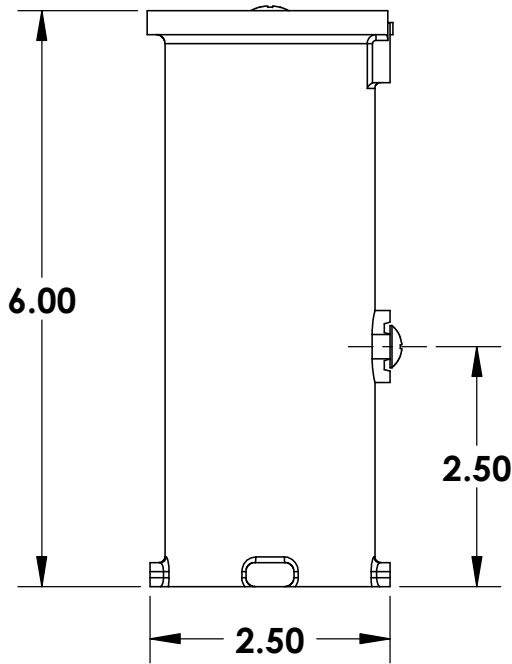
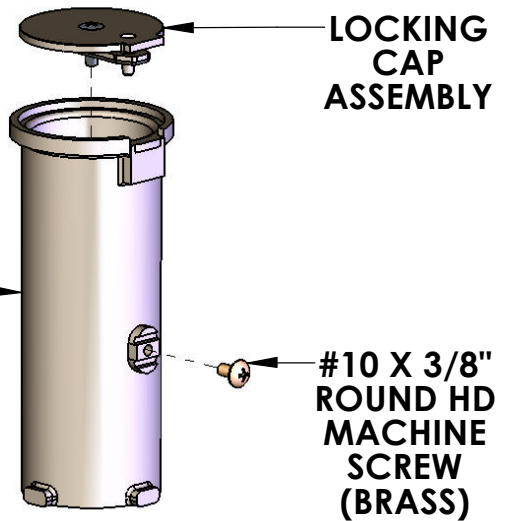


6" BRONZE ANCHOR SLEEVE



THE SCOUT ANCHOR INCLUDES A 6" DEEP BRONZE ANCHOR SLEEVE, A BRONZE LOCKING CAP WITH A BRONZE LOCKING BAR AND A #10 X 1/2" STAINLESS STEEL MACHINE SCREW, AND A #10 X 3/8" BRASS ROUND-HEAD SCREW FOR BONDING. THE SLEEVE WILL ACCOMODATE A $\phi 1.9$ " DIAMETER X 6" LONG POST.



9889 GARRYMORE LANE
MISSOULA, MT 59808
(406) 549-0769
FAX (406) 549-2602

NOTE:
*SPECIFICATIONS ARE SUBJECT TO CHANGE WITHOUT NOTICE

PRODUCT:	F-808SA	
DWG #:	F-808SA-1	
SCALE:	1:2	DATE: 6/30/11
DRAWN BY:	DS	REVISION: A