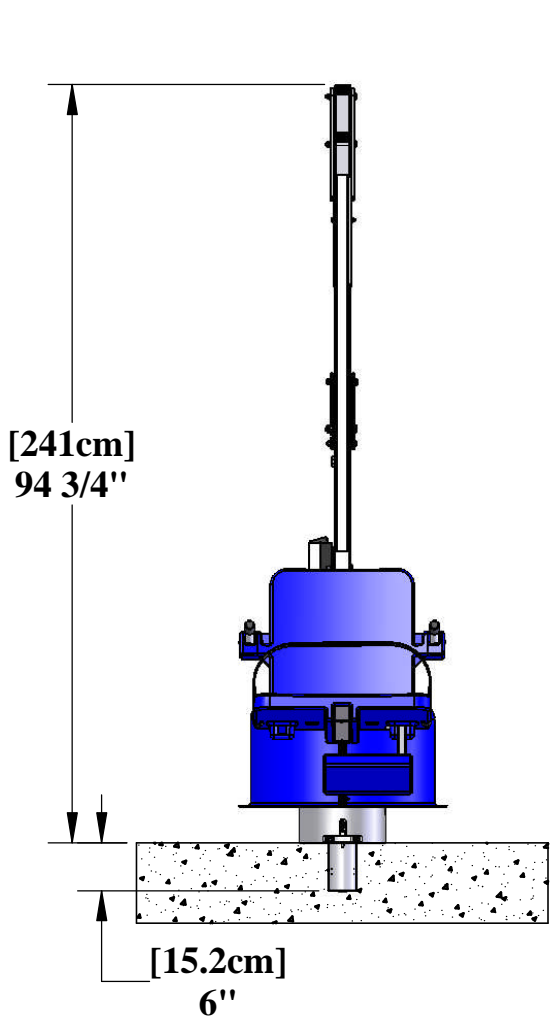
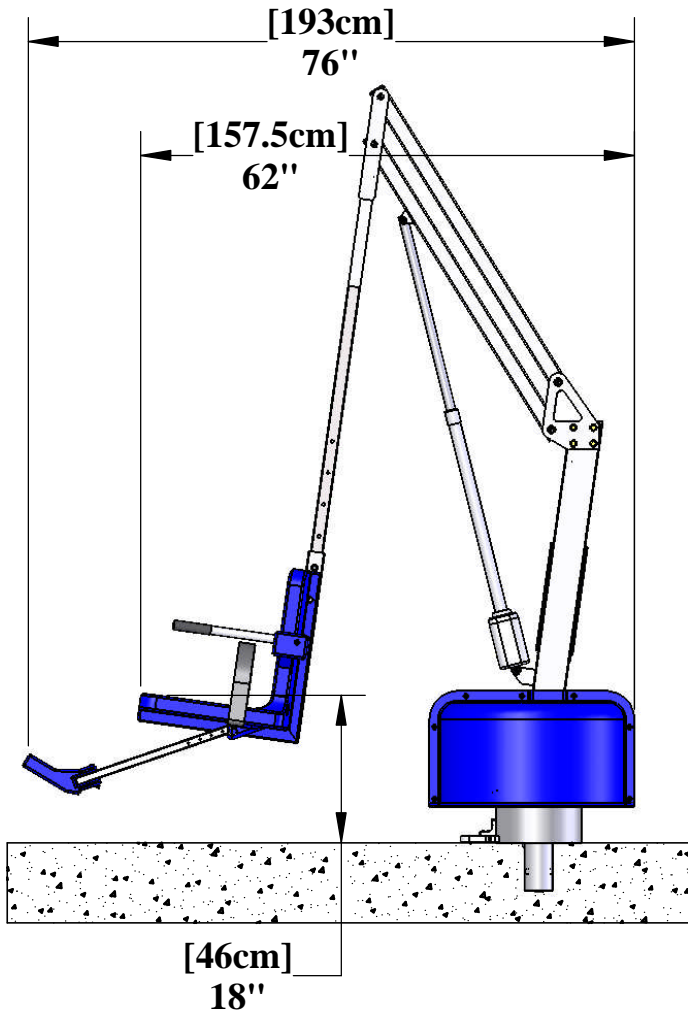


TITAN™ LIFT

US PATENT NO. D507,769 S



FRONT VIEW

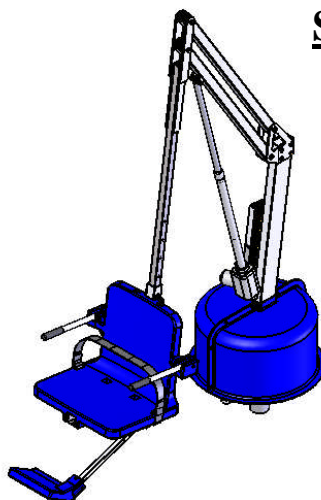


SIDE VIEW

Inspected And Verified To Meet
Applicable Sections of ADA
Guidelines Section 1009.2 By

wyle
laboratories

A Registered ISO 9001
Laboratory



ISOMETRIC VIEW

9889 GARRYMORE LANE
MISSOULA, MT 59808
(406) 549-0769
FAX (406) 549-2602

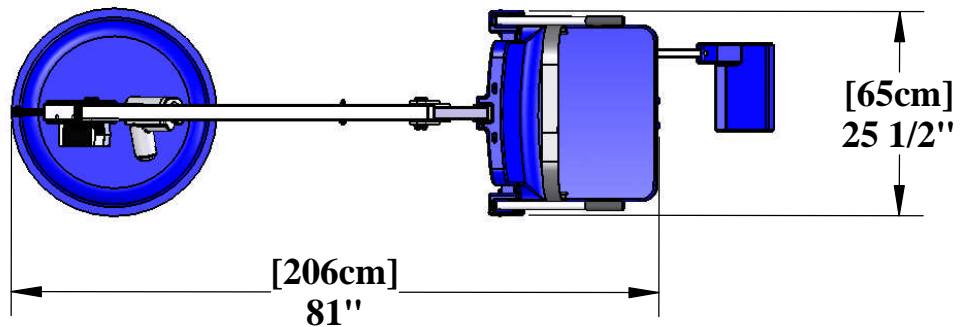
NOTE:
*SPECIFICATIONS ARE SUBJECT TO CHANGE WITHOUT NOTICE

PRODUCT:	F-600TL	
DWG #:	F-600TL-1	
SCALE:	1:24	DATE: 8/23/12
DRAWN BY:	KR	REVISION: B

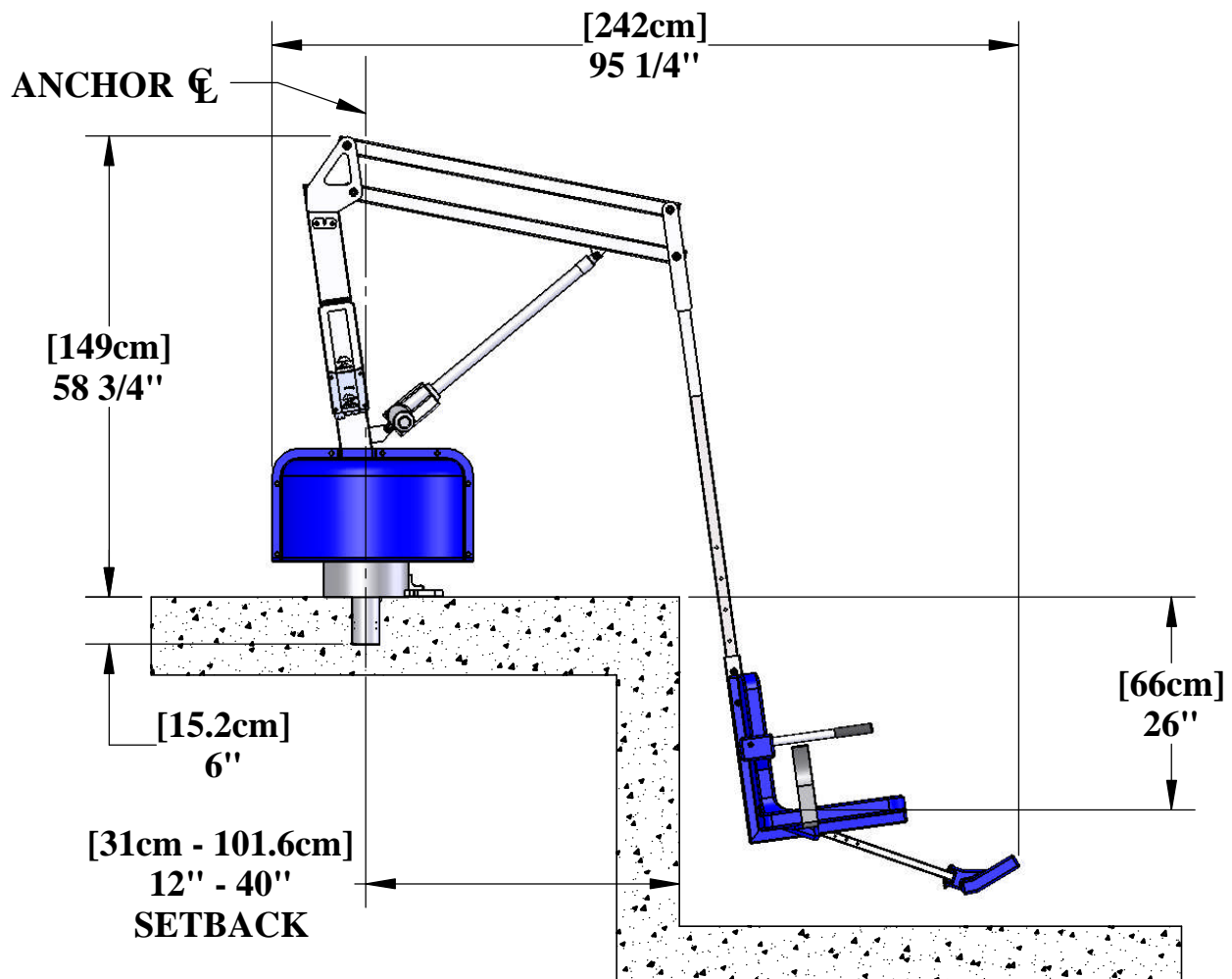
Aqua Creek Products
The Total Solution for Pool and Spa Access

TITAN™ LIFT

US PATENT NO. D507,769 S



TOP VIEW
(LIFT IN WATER)



SIDE VIEW
(LIFT IN WATER)

9889 GARRYMORE LANE
MISSOULA, MT 59808
(406) 549-0769
FAX (406) 549-2602

NOTE:
*SPECIFICATIONS ARE SUBJECT TO CHANGE WITHOUT NOTICE

PRODUCT:	F-600TL	
DWG #:	F-600TL-2	
SCALE:	1:24	DATE: 8/23/12
DRAWN BY:	KR	REVISION: B

TITAN™ LIFT

US PATENT NO. D507,769 S

SPECIFICATIONS:

LIFTING CAPACITY: 600 lbs [272kg]
STATIC LOAD CAPACITY: 900 lbs [408kg]

MAXIMUM WATER DRAFT (DECK TO WATER): 10" [25.4cm]
MAXIMUM SETBACK: 40" [101.6cm]

WEIGHT: 250 lbs [114kg]

MATERIALS:

BASE: TYPE 304 STAINLESS STEEL, PVC, CONCRETE, RUBBER
MAST & ARMS: TYPE 304 STAINLESS STEEL
CHAIR & FOOTREST: LOW-DENSITY POLYETHYLENE
SAFETY BELT: HEAVY-DUTY POLYESTER STRAP, HOOK & LOOK FASTENER
POWDER COATING: OFF-WHITE EPOXY (FORREST PAINT #1911)
FIXING ANCHOR-TAB: HIGH-DENSITY POLYETHYLENE
FIXING BOLT: ϕ 1/2"-13 X 2", 316 SS

STANDARD EQUIPMENT:

DUAL FLIP-UP ARMRESTS
FLIP-UP FOOTREST
SAFETY BELT

24V BATTERY & CHARGER
WATERPROOF HANDSET/REMOTE

AVAILABLE OPTIONS:

COVER
HEADREST
CYCLE ATTACHMENT
TRANSPORT CART

PART NUMBER

F-720RLC
F-722HRR
F-019CA
F-614TTC



9889 GARRYMORE LANE
MISSOULA, MT 59808
(406) 549-0769
FAX (406) 549-2602

NOTE:
*SPECIFICATIONS ARE SUBJECT TO CHANGE WITHOUT NOTICE

PRODUCT:	F-600TL	
DWG #:	F-600TL-3	
SCALE:	1:24	DATE: 8/23/12
DRAWN BY:	KR	REVISION: B