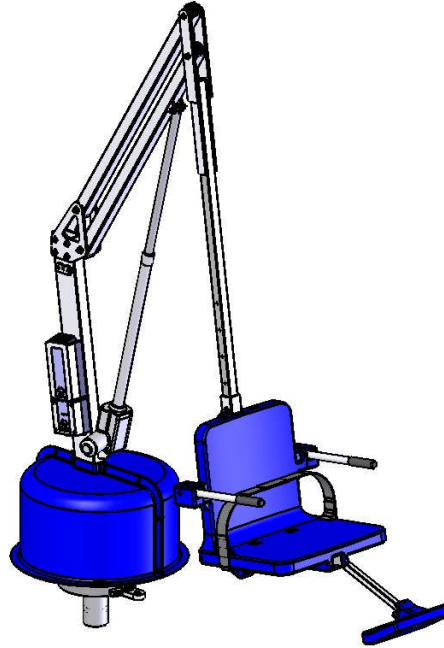




Aqua Creek Products

The Total Solution for Pool and Spa Access



Inspected And Verified To Meet
Applicable Sections of ADA
Guidelines Section 1009.2 By

wyle
laboratories

A Registered ISO 9001
Laboratory

THE TITAN™ LIFT

PART NUMBER: F-600TL (WITH ANCHOR)

PART NUMBER: F-600TLNA (WITHOUT ANCHOR)

US PATENT NUMBER: D507,769 S

600 LB. [272 kg] MAXIMUM CAPACITY

MANDATORY – LEAVE THIS MANUAL WITH LIFT OWNER

- WARNING -

IMPORTANT SAFETY INSTRUCTIONS

- 1. READ AND FOLLOW ALL INSTRUCTIONS. LIFT SAFETY CAN ONLY BE ENSURED IF THE LIFT IS INSTALLED AND OPERATED PROPERLY – ACCORDING TO THESE INSTRUCTIONS.**
- 2. TO REDUCE THE RISK OF INJURY, DO NOT PERMIT CHILDREN TO USE THIS PRODUCT UNLESS THEY ARE CLOSELY SUPERVISED AT ALL TIMES.**
- 3. DO NOT PERMIT CHILDREN TO PLAY ON OR AROUND THIS PRODUCT.**
- 4. NEVER APPLY DIRECT WATER PRESSURE TO THE ELECTRONIC COMPONENTS.**
- 5. SAVE A COPY OF THESE INSTRUCTIONS IN A SAFE AND EASILY ACCESSIBLE PLACE.**

AQUA CREEK PRODUCTS
9889 GARRYMORE LANE
MISSOULA, MT 59808
1-888-687-3552
FAX: 406-549-2602

TABLE OF CONTENTS

PAGE	
3	ASSEMBLY OVERVIEW
4	LIFT LOCATION: ADA GUIDELINES (USA)
5	APPLICATION GUIDE
6	ANCHOR INSTALLATION: RETROFIT
7	ANCHOR INSTALLATION: NEW CONSTRUCTION
8	STEP 1: LIFT ASSEMBLY
9	STEP 2: INSTALL LIFTING ARM
10	STEP 3: INSTALL CONTROL ARM
11	STEP 4: INSTALL SEAT ARM
12	STEP 5: INSTALL SEAT ASSEMBLY
13	STEP 6: INSTALL FOOTREST
14	STEP 7: INSTALL BATTERY & HANDSET CONTROL
15	LIFT OPERATION
17	CARE AND CLEANING
18	TROUBLESHOOTING GUIDE
20	PART LIST & EXPLODED VIEW
21	SEAT ASSEMBLY PARTS LIST
22	WARRANTY INFORMATION

MAIN COMPONENTS

- [1] MAIN ASSEMBLY (STEP 1)
- [2] LIFTING ARM (STEP 2)
- [3] LINEAR ACTUATOR (STEP 2)
- [4] CONTROL ARM (STEP 3)
- [5] SEAT ARM (STEP 4)
- [6] SEAT ASSEMBLY (STEP 5)
- [7] FOOTREST ASSY (STEP 6)
- [8] 24V BATTERY (STEP 7)
- [9] HANDSET CONTROL (STEP 7)
- [10] BATTERY CHARGER (NOT SHOWN)

ASSEMBLY OVERVIEW

STEP 1: INSTALL IN ANCHOR.

STEP 2: INSTALL LIFTING ARM.

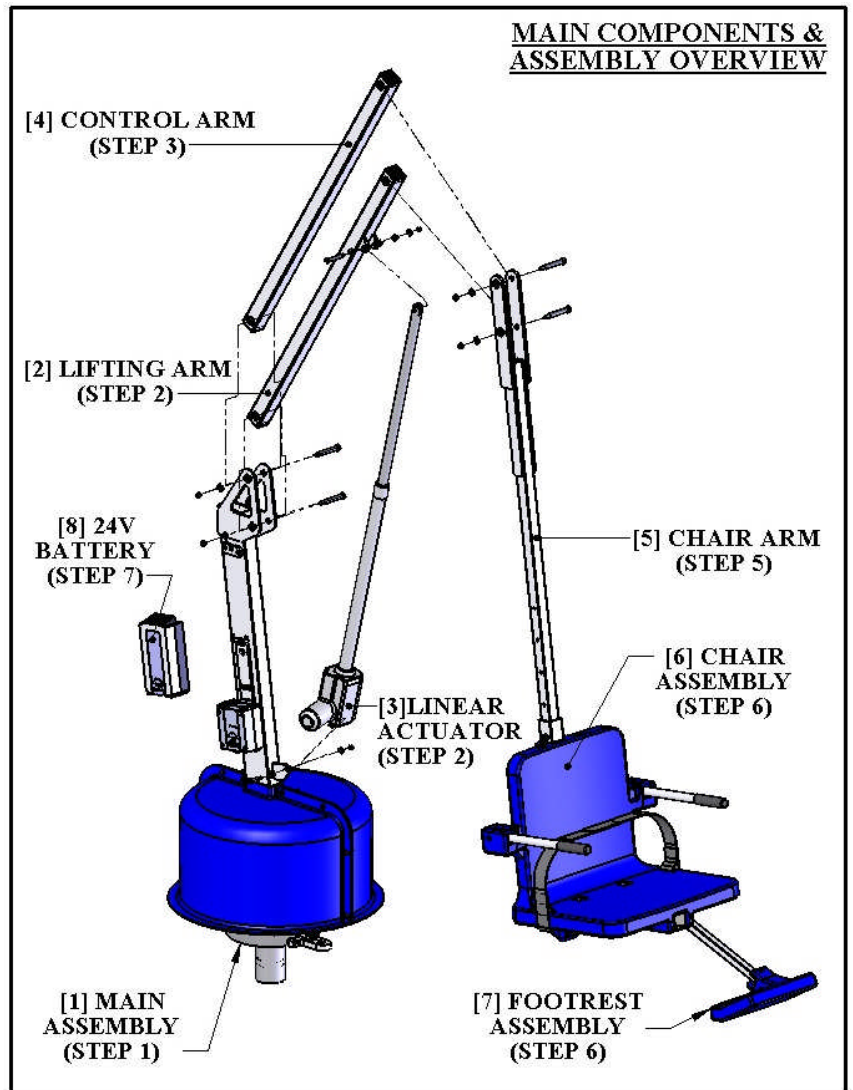
STEP 3: INSTALL CONTROL ARM.

STEP 4: INSTALL SEAT ARM.

STEP 5: ADJUST SEAT HEIGHT.

STEP 6: INSTALL FOOTREST.

STEP 7: INSTALL BATTERY & HANDSET CONTROL.



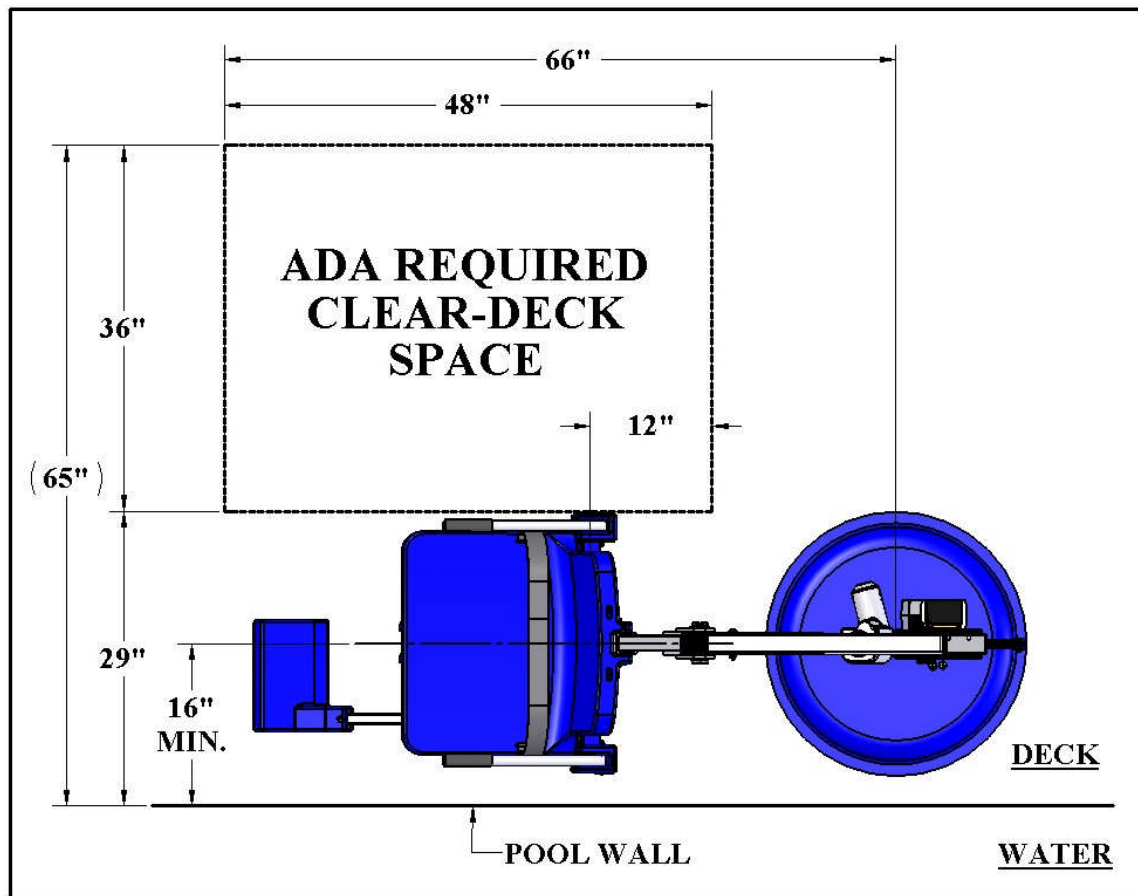
NOTE: PUT THE 24V BATTERY ON THE CHARGER AS SOON AS POSSIBLE!
The battery will need to be charged for 24 hours before first use.

HARDWARE LIST

TOOL LIST

QTY.	DESCRIPTION	[ANCHOR INSTALLATION]
2	1/2" X 2-3/4" SHOULDER BOLT, S.S.	5" CORE DRILL
2	1/2" X 3" SHOULDER BOLT, S.S.	HEAVY DUTY DRILL
1	5/16" FLAT WASHER, S.S.	
1	5/16" NYLOCK NUT, S.S.	
1	3/8" X 1-3/4" SHOULDER BOLT, S.S.	[LIFT ASSEMBLY]
5	3/8" FLAT WASHER, S.S.	(1) 9/16" WRENCH OR SOCKET
2	3/8" NYLOCK NUT, S.S.	(1) 1/2" WRENCH OR SOCKET
		(1) 3/16" ALLEN WRENCH

UNPACKING THE SHIPPING CONTAINER: When you receive your new Aqua Creek TITAN™ pool/spa lift, check your shipment carefully. Locate all main components and hardware listed above. The tools listed will be needed to install and assemble the lift.

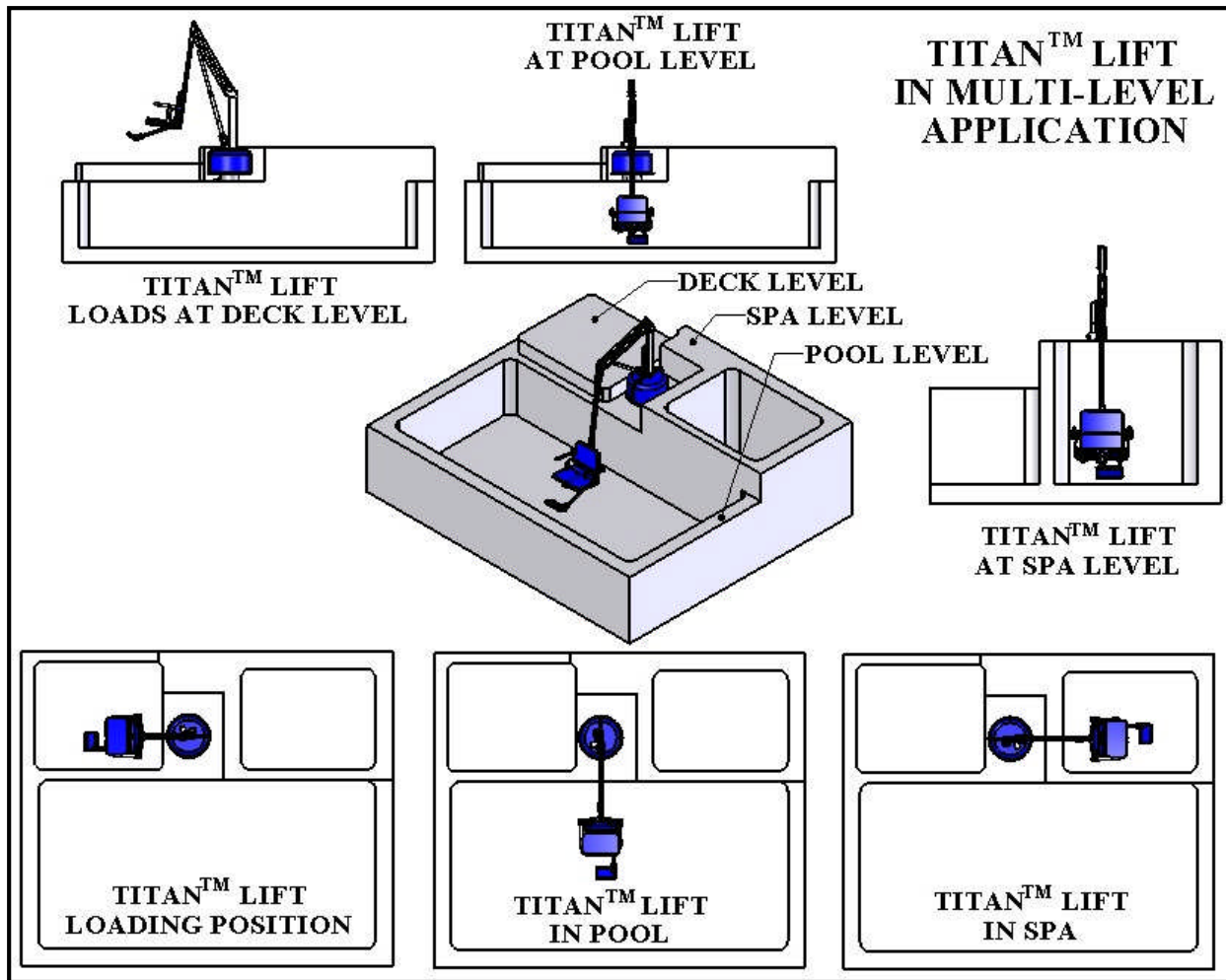


LIFT LOCATION: ADA ACCESSIBILITY STANDARDS

Before installing the TITAN™ Lift it will be necessary to select a location for the anchor. Because of its versatility the TITAN™ Lift can be installed in a wide variety of locations, but the owner/installer should be aware of the requirements of the Americans with Disabilities Act (ADA) with concern to lift installations. The diagram above shows an example of an ADA compliant installation, which incorporates the following ADA rules in order to be compliant;

- **SEAT LOCATION:** In the raised position, the centerline of the seat shall be located over the deck and 16 inches [406mm] minimum from the edge of the pool (pool wall). The deck surface between the centerline of the seat and the pool edge shall have a slope not greater than 1:48. [1009.2.2 “Seat Location”]
- **CLEAR DECK SPACE:** On the side of the seat opposite the water, a clear deck space shall be provided parallel with the seat. The space shall be 36 inches [914mm] wide minimum and shall extend forward 48 inches [1219mm] from a line located 12 inches [305mm] behind the rear edge of the seat. The clear deck space shall have a slope not greater than 1:48. [1009.2.3 “Clear Deck Space”]
- **WATER LEVEL:** Pool lifts must be located where the water level does not exceed 48 inches [1219mm] (unless the entire pool is greater than 48” deep). [1009.2.1 “Pool Lift Location”]

NOTE: AQUA RECOMMENDS INSTALLING THE LIFT AT A DECK TO POOL-FLOOR DEPTH OF NOT LESS THAN 42” [1067 mm].

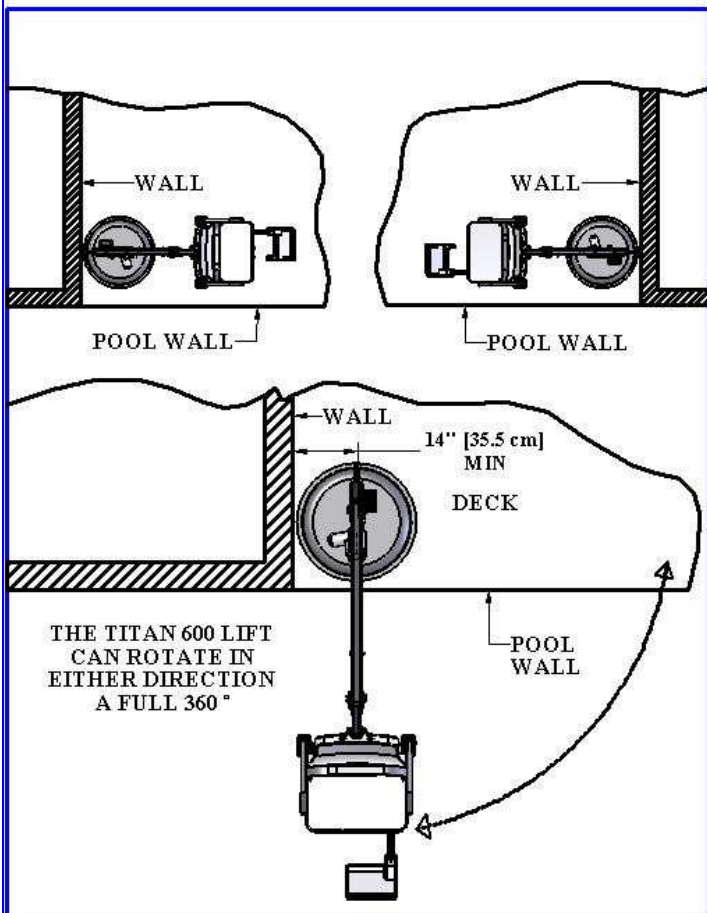


TITAN™ APPLICATION GUIDE:

The TITAN™ lift has been designed for optimal flexibility, offering the user a wide range of options for lift placement. Shown above, the TITAN™ lift is ideal for applications where access to multiple levels (elevations) is required. The adjustable seat arm makes such applications easily implemented, as in this case where the seat has been installed in one of the middle (height) positions. With the seat in its highest position the TITAN™ lift will clear a 30" [762mm] high spa or pool wall.

Also, because the TITAN™ lift rotates in either direction a full 360° it can be installed close to a wall, with the wall on either side, as shown in the diagram to the left.

NOTE: IT IS RECOMMENDED THAT ANY WALL IN CLOSE PROXIMITY TO THE LIFT BE PADDED (SUCH AS SHOWN IN THE FIGURE TO THE LEFT - TO PREVENT DAMAGE TO THE LIFT OR INJURY TO THE USER SHOULD THE LIFT BE ACCIDENTALLY OVER-ROTATED).



ANCHOR INSTALLATION: RETROFIT INSTRUCTIONS

The TITAN™ lift should be installed in a deck with the following specifications:

1. MINIMUM FOOTING SIZE: 4' - 6" x 4' - 6" x 12" THICK.
2. MINIMUM CONCRETE STRENGTH: 2500 PSI
3. REINFORCEMENT: #4 REBAR @ 10" ON CENTER (O.C.)

To ensure adequacy of an existing pool deck a 4' – 6" square portion of the existing deck may be saw-cut, removed and replaced with a footing as specified above. The new slab reinforcing shall be drilled and epoxied into the existing slab as shown on the next page. If your deck or footing does not meet these requirements please call Aqua Creek for recommendations. **The anchor should be bonded (grounded) per local electrical code.** For decks that meet these requirements follow these instructions to install your anchor.

TOOLS & MATERIALS REQUIRED:

CORE DRILL

1-1/2" & 5" CORE DRILL BITS

MARKING PEN

EPOXY (ANCHOR ADHESIVE)*

WIRE BRUSH

AIR NOZZLE & PUMP/COMP.

HEAT GUN (OPTIONAL)

MASKING TAPE

1. Select an anchor location using the diagram below and the ADA guidelines on page 4. Mark the center of the anchor location with a pen or marker.
2. Using a 5" diameter core-drill bit drill a 5" diameter hole at the anchor location. Make sure to keep the bit square to the deck. Drill straight down to a depth of at least 9".
3. Remove plug and clean out the hole with a wire brush, and then insert an air nozzle to the bottom of the hole and blow out the hole using a pump or compressed air. Proper hole cleaning is essential. If the hole is wet, dry it out as much as possible. A heat-gun may be helpful in drying out the hole.
4. Mask the top of the anchor so that no epoxy gets inside the anchor.
5. Place the anchor in the hole and 'dry-fit' it first to make sure the anchor will be flush and plumb with the deck when installed. Adjust the hole as needed.
6. Install the epoxy into the dispenser and follow manufacturers' instructions to ensure that the epoxy is properly mixed and applied. **USE ONLY THE RECOMMENDED EPOXY AND ALWAYS FOLLOW THE INSTRUCTIONS SO THAT FULL STRENGTH IS ACHIEVED.**
7. Inject epoxy adhesive starting at the bottom until the hole is 1/3 to 1/2 full.
8. Install the 8"-Bronze anchor into the epoxy and push down until it is flush with the deck surface. Clean off excess epoxy. Adjust the anchor to make sure it is flush and plumb with the deck surface.
9. Let the epoxy cure for at least 24 hours before installing the lift (or where applicable according to the manufacturers' instructions).
10. After the 8"-Bronze anchor has been installed and the epoxy has fully cured install the lift in the anchor and line-up the locking pin (see STEP 1). With the base flush on the deck mark the location for the FIXING ANCHOR using the FIXING-TAB. Remove the lift.
11. With a 1-1/2" core-drill bit, drill straight down at the marked location to 4" deep.
12. Remove the plug and clean out the hole. Dry-fit to make sure the fixing-anchor sits flush with the finished deck, then remove and fill 1/3 to 1/2 with epoxy.
13. Install the FIXING-ANCHOR and make sure it is level and plumb. Let the epoxy fully cure before installing the lift (STEP 1).

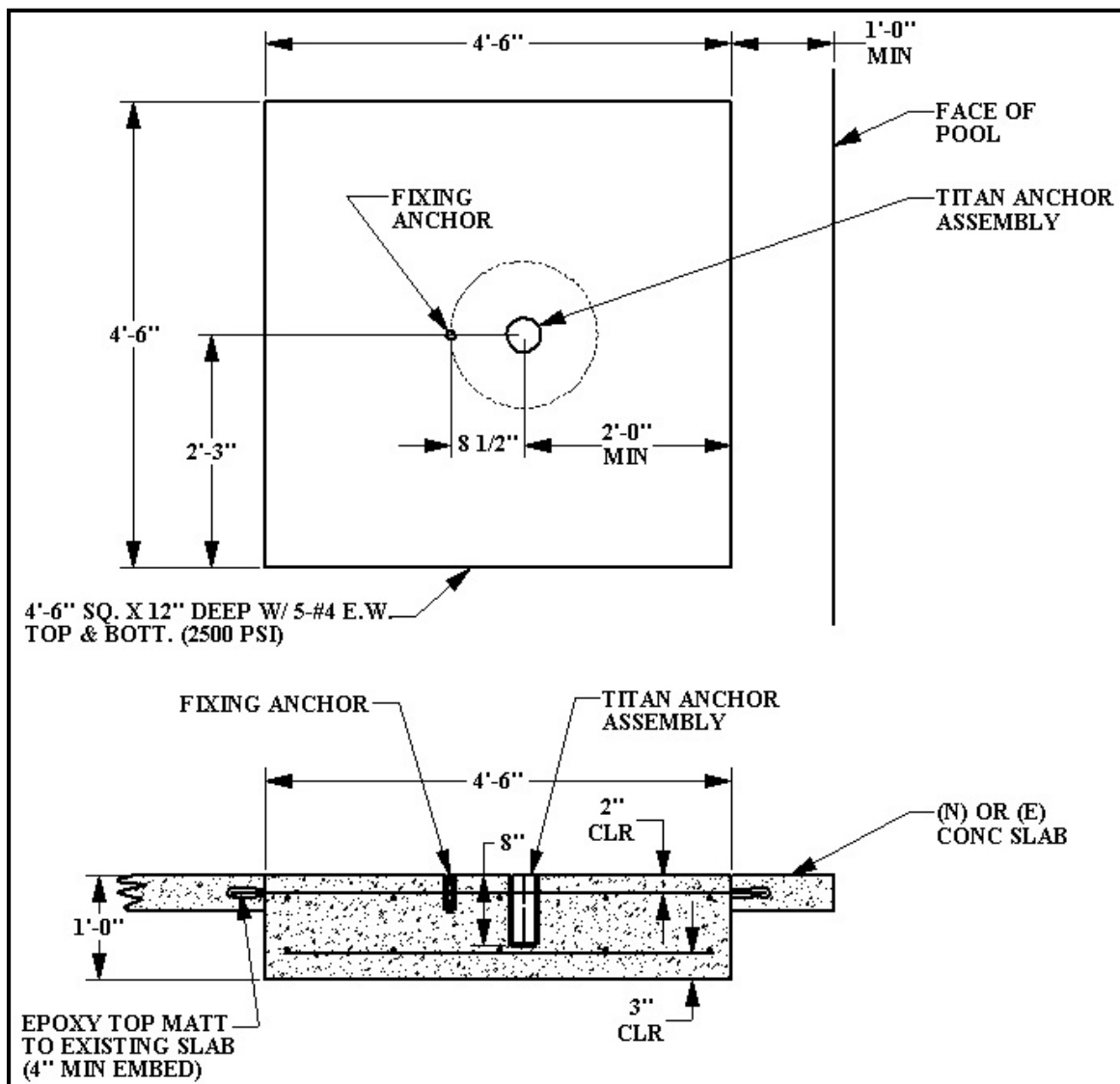
***Use HILTI RE-500-SD adhesive anchor or SIMPSON SET-XP anchor adhesive or equivalent.**

NOTE: BOND (GROUND) THE ANCHOR PER LOCAL ELECTRICAL CODE.

ANCHOR INSTALLATION: NEW CONSTRUCTION

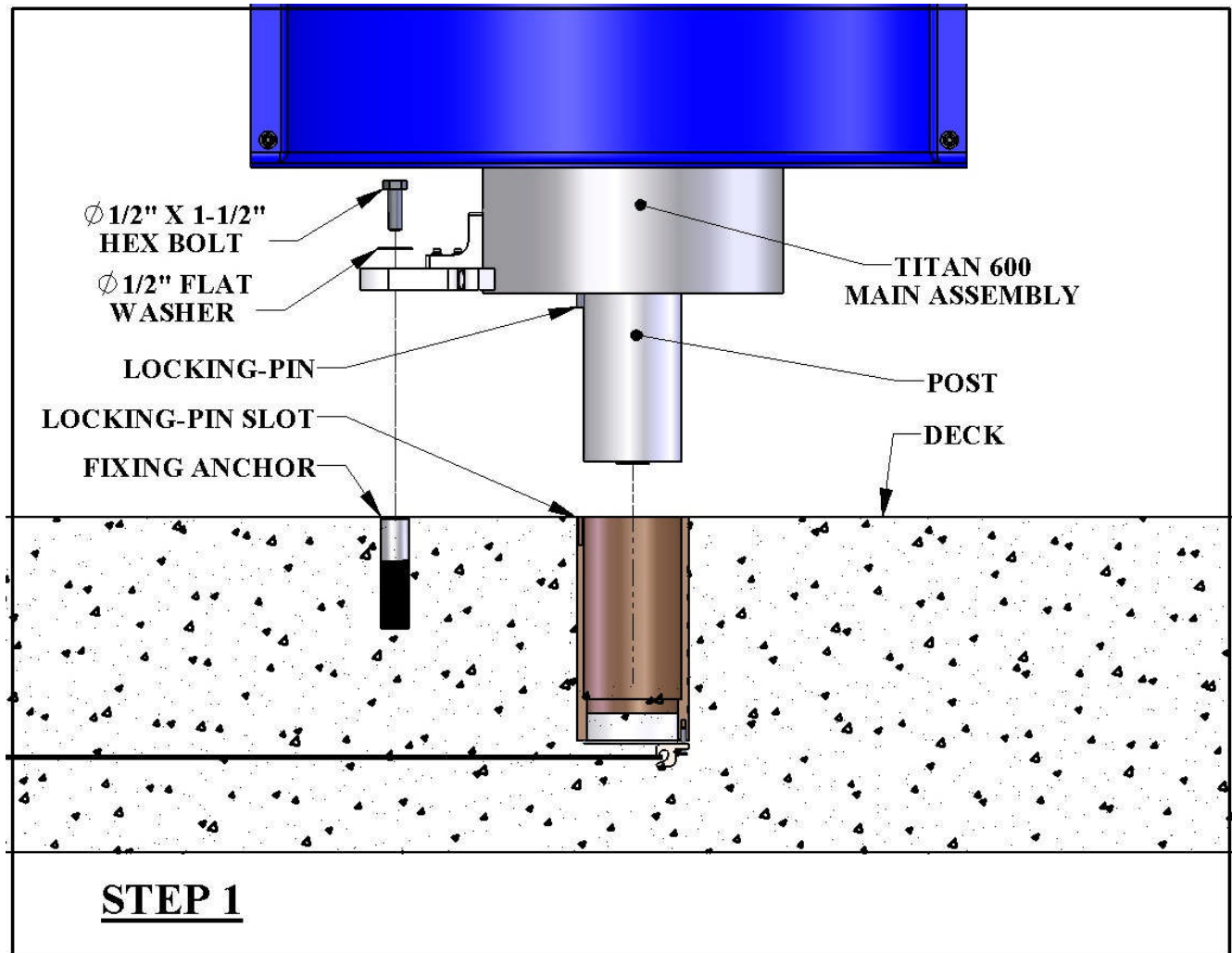
For new construction a footing should be poured according to the diagram below. Again, make sure the anchor is installed flush and plumb with the deck surface. Again, the footing should have the following specifications:

4. MINIMUM FOOTING SIZE: 4' - 6" x 4' - 6" x 12" THICK.
5. MINIMUM CONCRETE STRENGTH: 2500 PSI
6. REINFORCEMENT: #4 REBAR @ 10" ON CENTER (O.C.)



NOTE: For the SLING OPTION the maximum setback distance (from the pool wall to the anchor) is 24".

INSTALLATION & ASSEMBLY INSTRUCTIONS:



STEP 1: INSERT MAIN ASSEMBLY INTO ANCHOR

Locate the TITAN™ MAIN ASSEMBLY and lift it from the shipping container.

WARNING! NEVER LIFT THE MAIN ASSEMBLY USING THE LINEAR ACTUATOR AS A HANDLE! LIFT THE ASSEMBLY FROM THE ENDS. USE AT LEAST 2 PEOPLE TO LIFT.

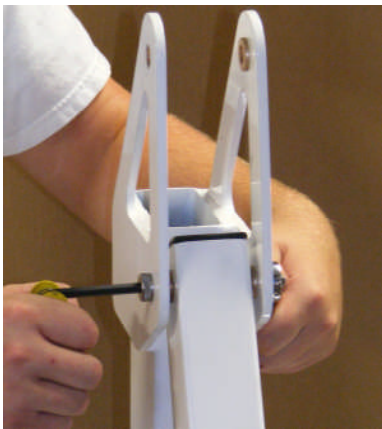
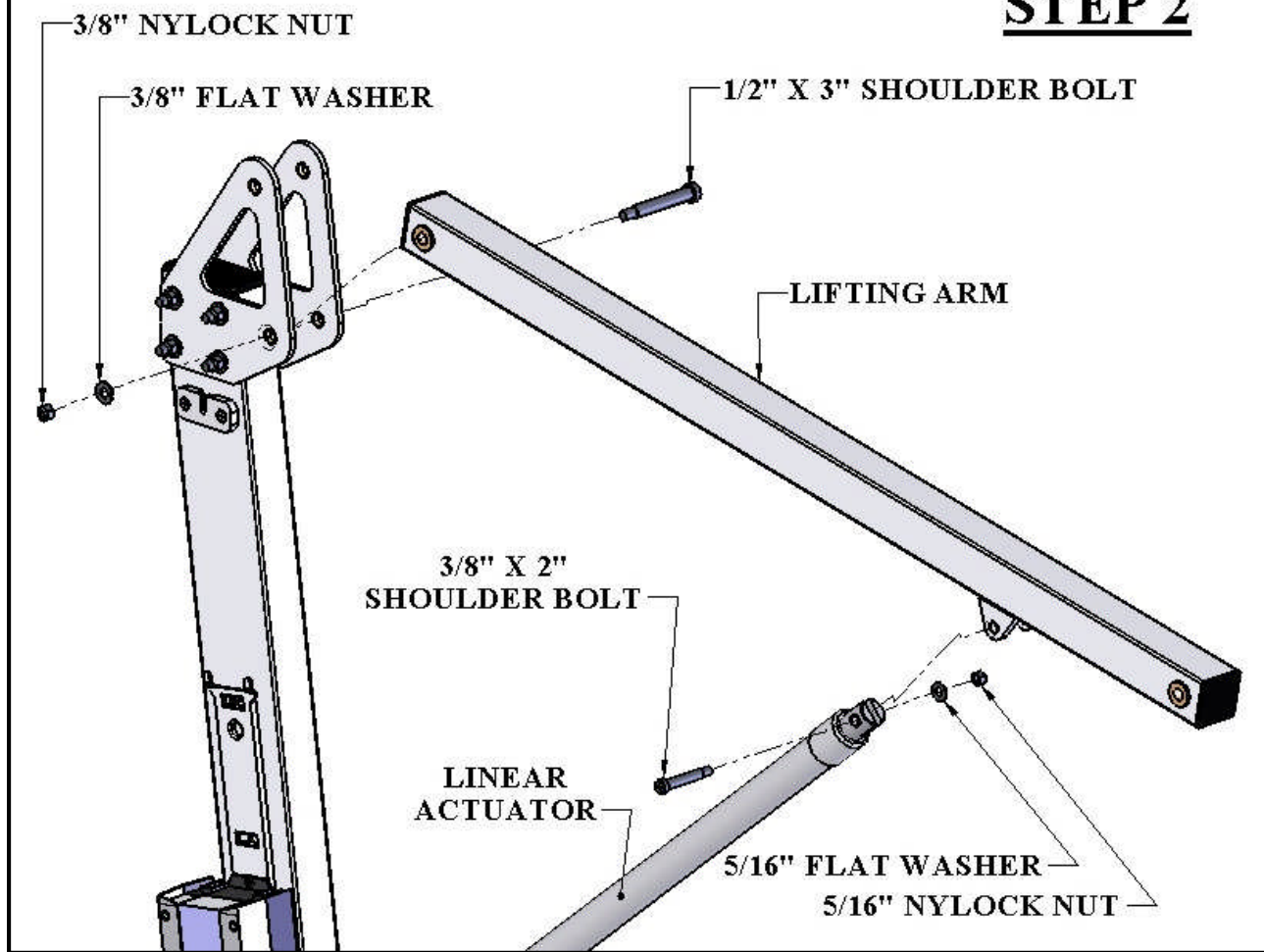
Insert the 3.5" [89mm] POST of the TITAN™ MAIN ASSEMBLY into the deck anchor. Align the LOCKING PIN with the LOCKING SLOT in the anchor. Ease the MAIN ASSEMBLY down until it rests on the POOL/SPA DECK SURFACE.

WARNING! MAKE SURE THE LOCKING PIN SLIDES INTO THE LOCKING SLOT OF THE ANCHOR, AND THAT THE MAIN ASSEMBLY SITS FLUSH WITH THE DECK SURFACE.

Install the 1/2" x 1-1/2" HEX BOLT and FLAT WASHER into the FIXING ANCHOR as shown. Tighten hand-tight only.



STEP 2



STEP 2: INSTALL LIFTING ARM

Locate the LIFTING ARM and the following hardware:

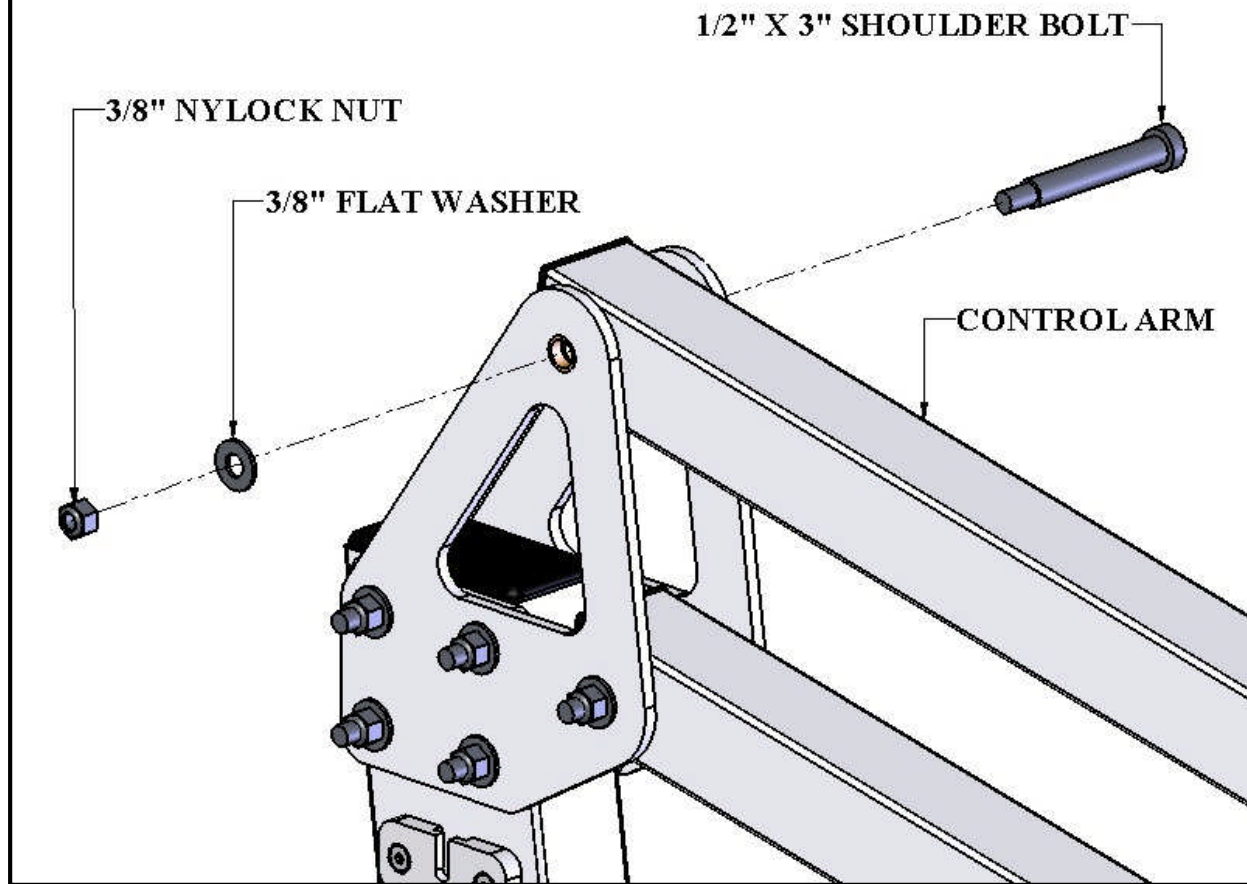
- (1) 1/2" x 3" SHOULDER BOLT
- (1) 3/8" x 2" SHOULDER BOLT
- (1) 5/16" FLAT WASHER
- (1) 5/16" NYLOCK NUT
- (2) 3/8" FLAT WASHER
- (1) 3/8" NYLOCK NUT



Remove the shipping strap and all packing from the LINEAR ACTUATOR. Connect the LIFTING ARM between the MAST and the LINEAR ACTUATOR as shown in the figure above. Tighten NYLOCK NUTS (2) until snug as shown in PHOTO 2. **DO NOT OVER TIGHTEN!**

NOTE: If the LIFTING ARM fits too tightly loosen the 3/8" bolts that hold on the brackets (top of MAIN ASSEMBLY) and tighten again after assembly.

STEP 3



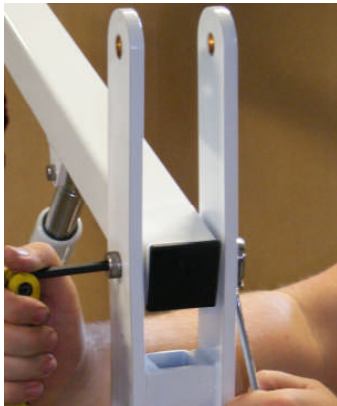
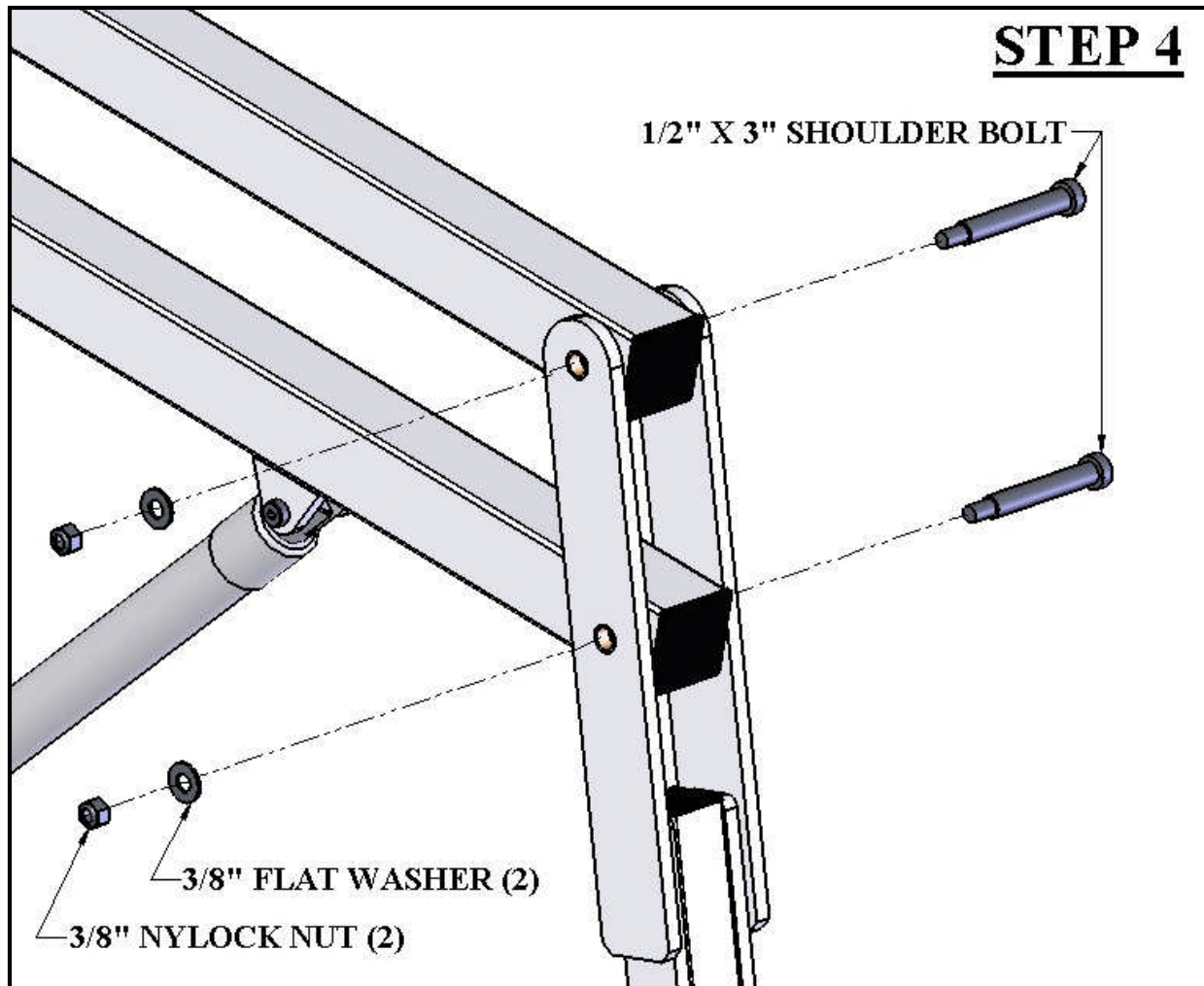
STEP 3: INSTALL CONTROL ARM

Locate the CONTROL ARM and the following hardware:

- (1) 1/2" x 2-3/4" SHOULDER BOLT
- (1) 3/8" FLAT WASHER
- (1) 3/8" NYLOCK NUT

Install the CONTROL ARM (either end) onto the MAST as shown in the figure above. Tighten the NYLOCK NUT until snug as shown in PHOTO 3. **DO NOT OVER TIGHTEN!**

STEP 4



STEP 4: INSTALL SEAT ARM

Locate the SEAT ARM and the following hardware:

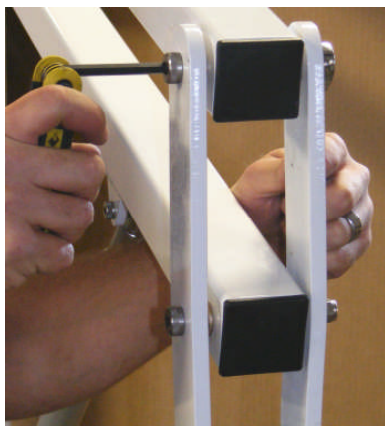
- (2) 1/2" x 3" SHOULDER BOLT
- (2) 3/8" FLAT WASHER
- (2) 3/8" NYLOCK NUT

Install the SEAT ARM at the ends of the CONTROL ARM and LIFTING ARM as shown in the figure above. Tighten the NYLOCK NUTS until snug as shown in PHOTO 4.

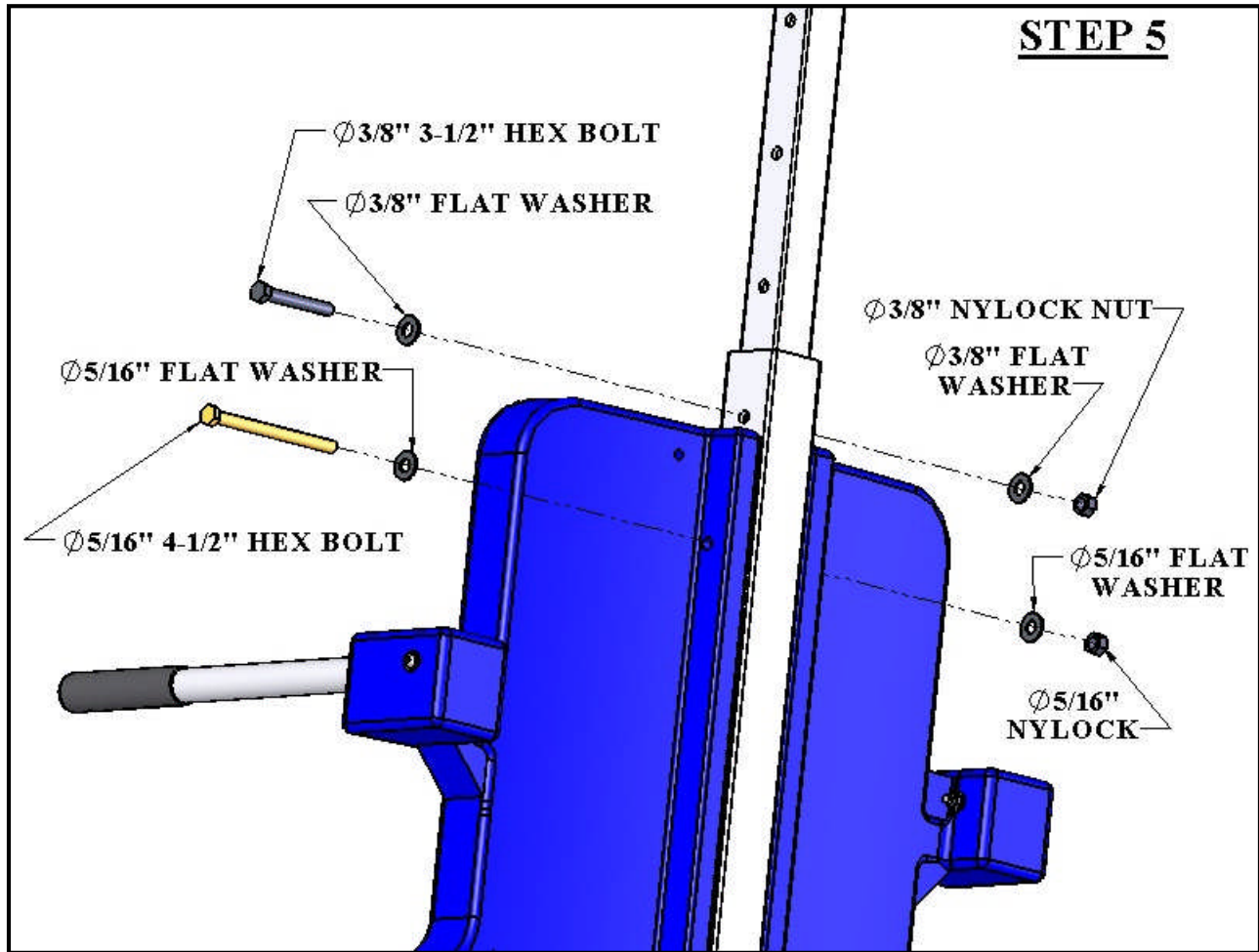
DO NOT OVER TIGHTEN.

(NOTE: MAKE SURE THE SEAT IS FACING AWAY FROM THE MAIN ASSEMBLY)

NOTE: FOR APPLICATIONS THAT UTILIZE MULTIPLE SEAT ARMS (SUCH AS FOR A SLING SEAT OR THE SPA SEAT-ARM) USE THIS STEP TO REMOVE AND REPLACE THE SEAT ARM.



STEP 5

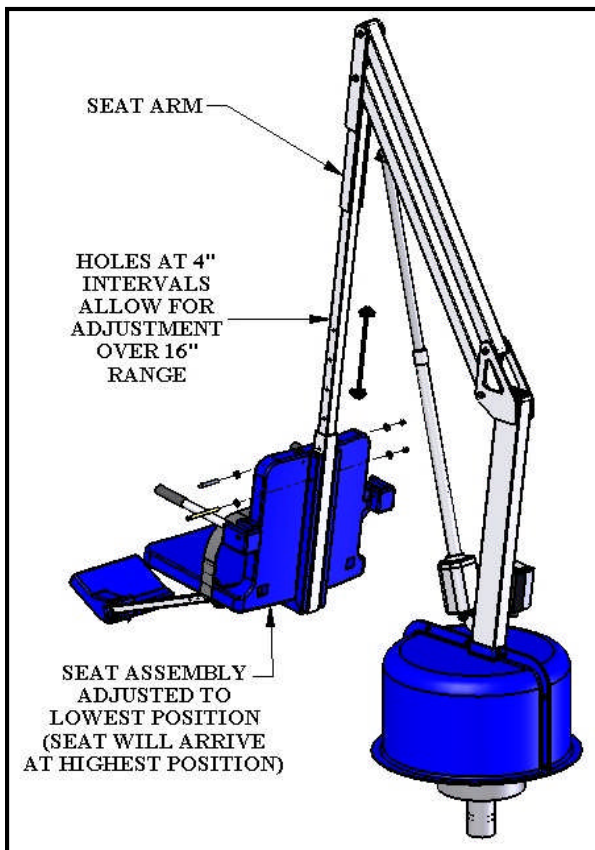


STEP 5: ADJUST THE SEAT POSITION

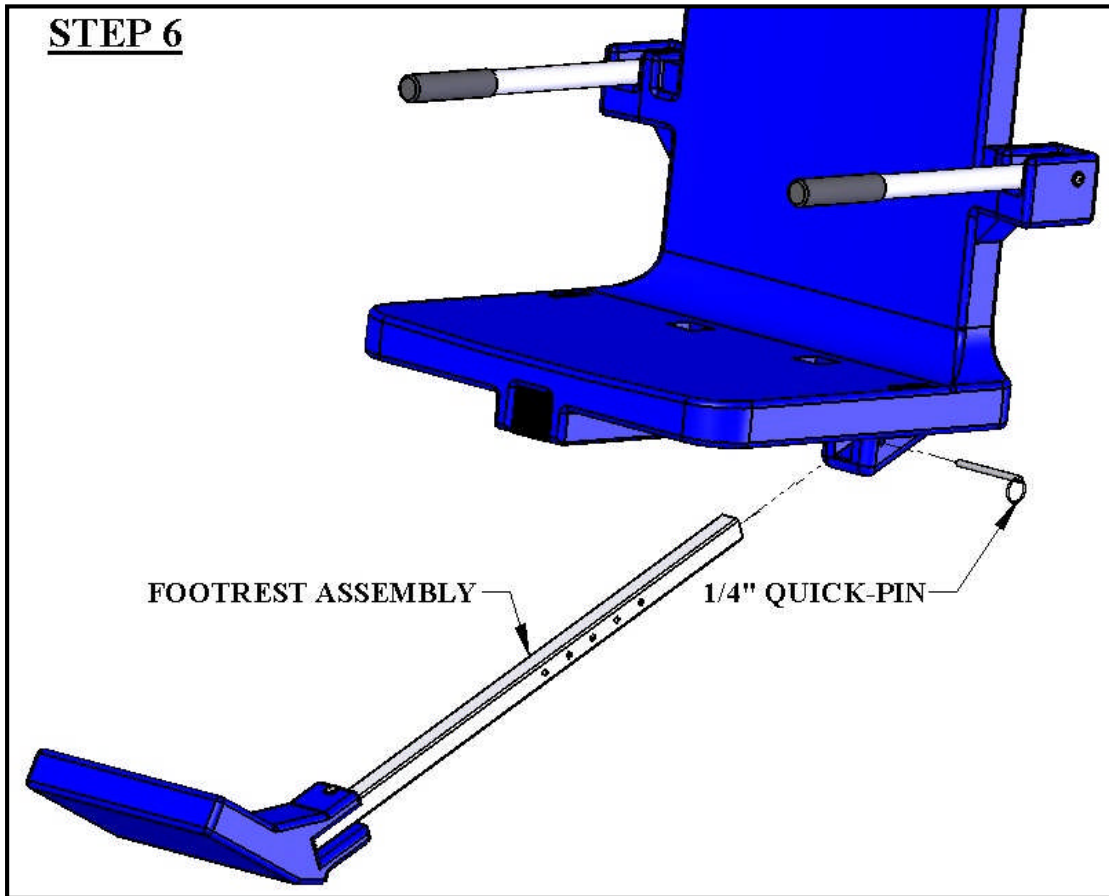
The SEAT ASSEMBLY will arrive attached to the SEAT ARM adjusted to its highest position. To adjust the SEAT ASSEMBLY to a lower position remove the hardware as shown above. Slide the SEAT ASSEMBLY to its desired position (in 4" increments) and reinstall the hardware. The maximum adjustment is 16" (down).

DO NOT ATTACH THE SEAT ASSEMBLY ANY LOWER THAN THIS – ALWAYS USE THE TWO (2) SUPPLIED HEX BOLTS TO ATTACH THE SEAT ASSEMBLY TO THE SEAT ARM!

NOTE: For most applications, such as pools with a flat deck, the seat will be installed in its lowest position. For applications where a wall or curb must be cleared the seat should be installed in a higher position. In its highest position the seat will clear a 30" [762mm] high wall.

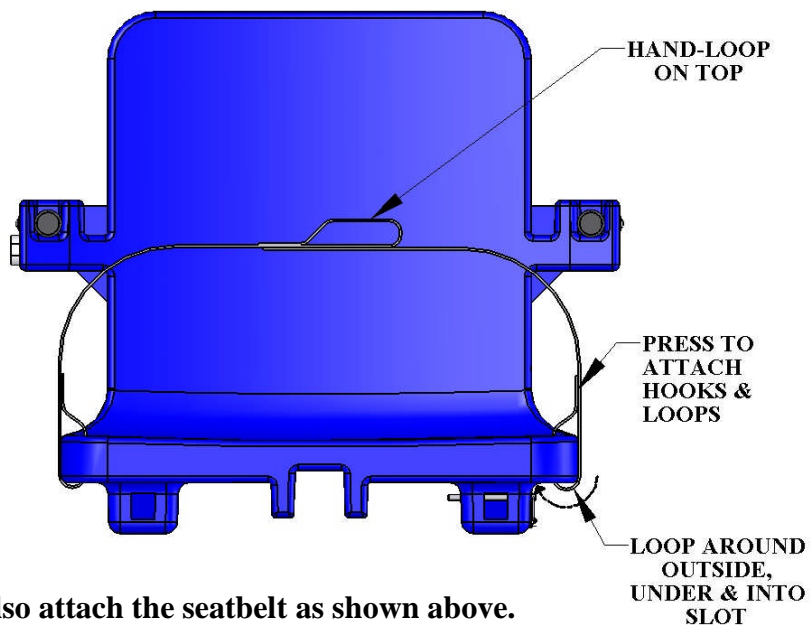


STEP 6



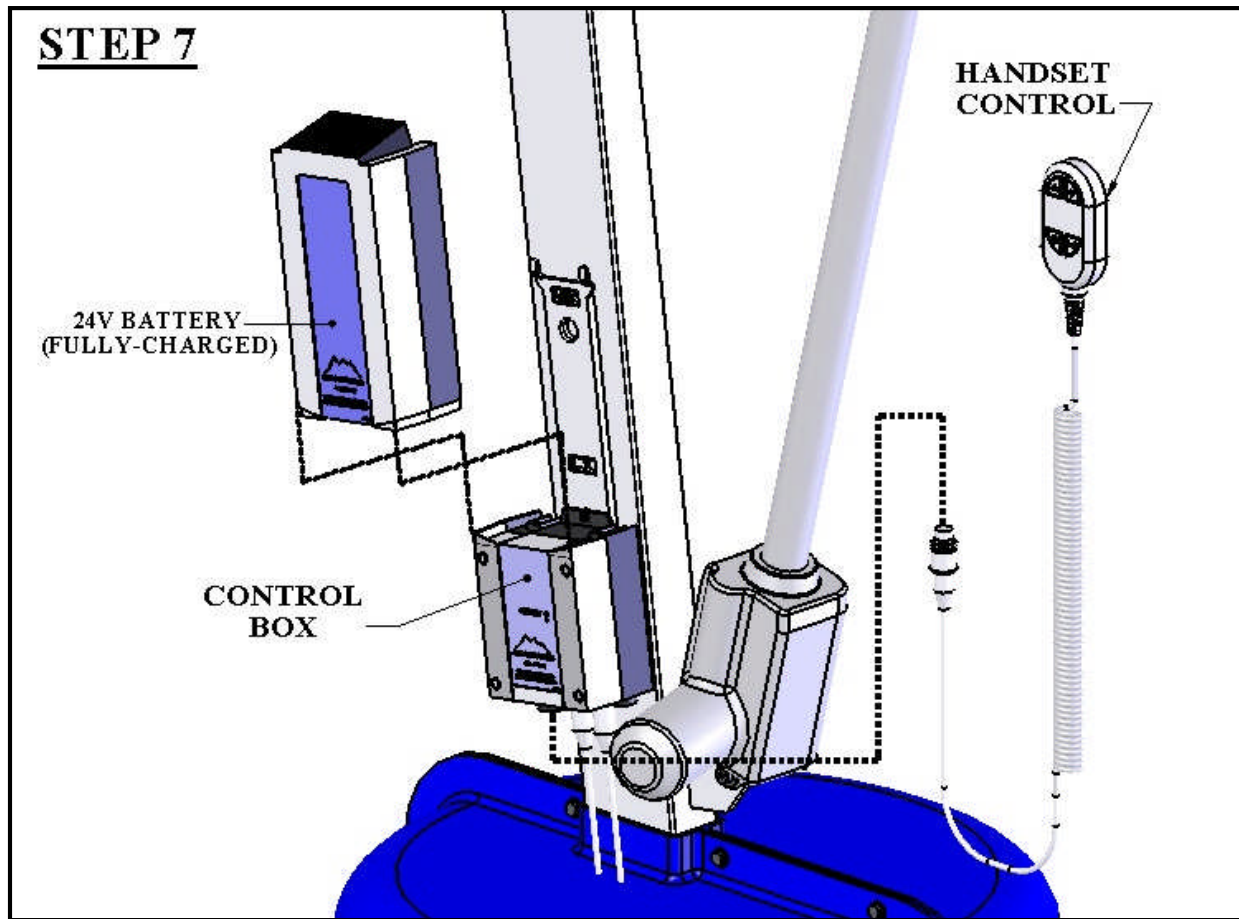
STEP 6: INSTALL THE FOOTREST

Locate the FOOTREST ASSEMBLY and install it on the seat as shown above. The QUICK RELEASE PIN is attached to the SEAT ASSEMBLY with a lanyard (cable). Pull out the pin and slide the FOOTREST ASSEMBLY into the slot and line up one of the holes on the FOOTREST TUBE with the hole for the pin. Push the pin back into the hole and through the hole in the FOOTREST TUBE to hold the FOOTREST ASSEMBLY in the desired position. To re-adjust the FOOTREST simply pull out the pin and select a new hole on the FOOTREST TUBE.



Also attach the seatbelt as shown above.

STEP 7



STEP 7: INSTALL 24V BATTERY & HANDSET

Locate the 24V Battery, the Battery Charging unit and the Handset Control. **Charge the battery for 24 hours** (see page 16 "Charging the Battery") then install it on the bracket above the Control Box as shown above. Plug the Handset Control into the Control Box as shown above and in the photos to the left. Press firmly to make sure the plug is fully seated as shown below.

THE LIFT WILL NOT FUNCTION IF THE HANDSET PLUG IS NOT FULLY SEATED OR IF THE BATTERY IS NOT PROPERLY ALIGNED.



NOT SEATED

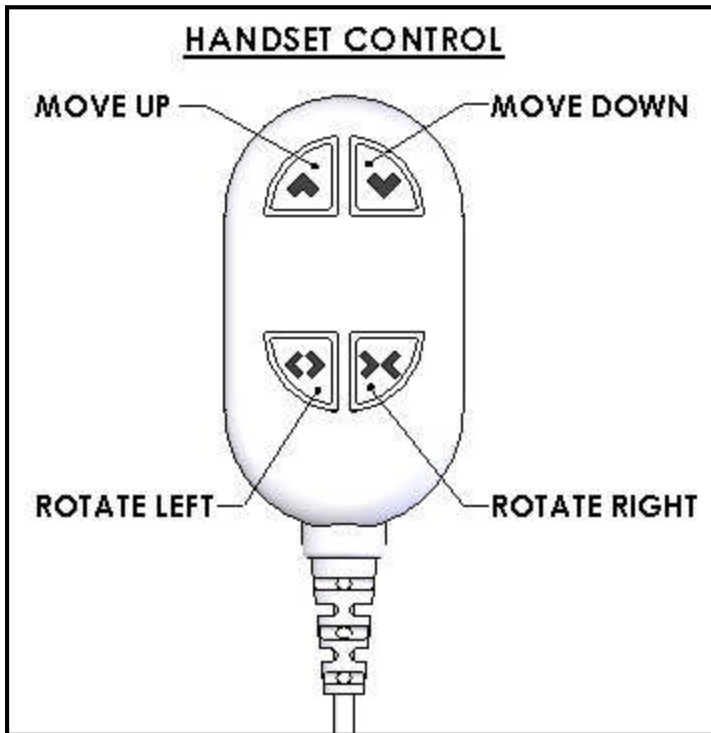


SEATED

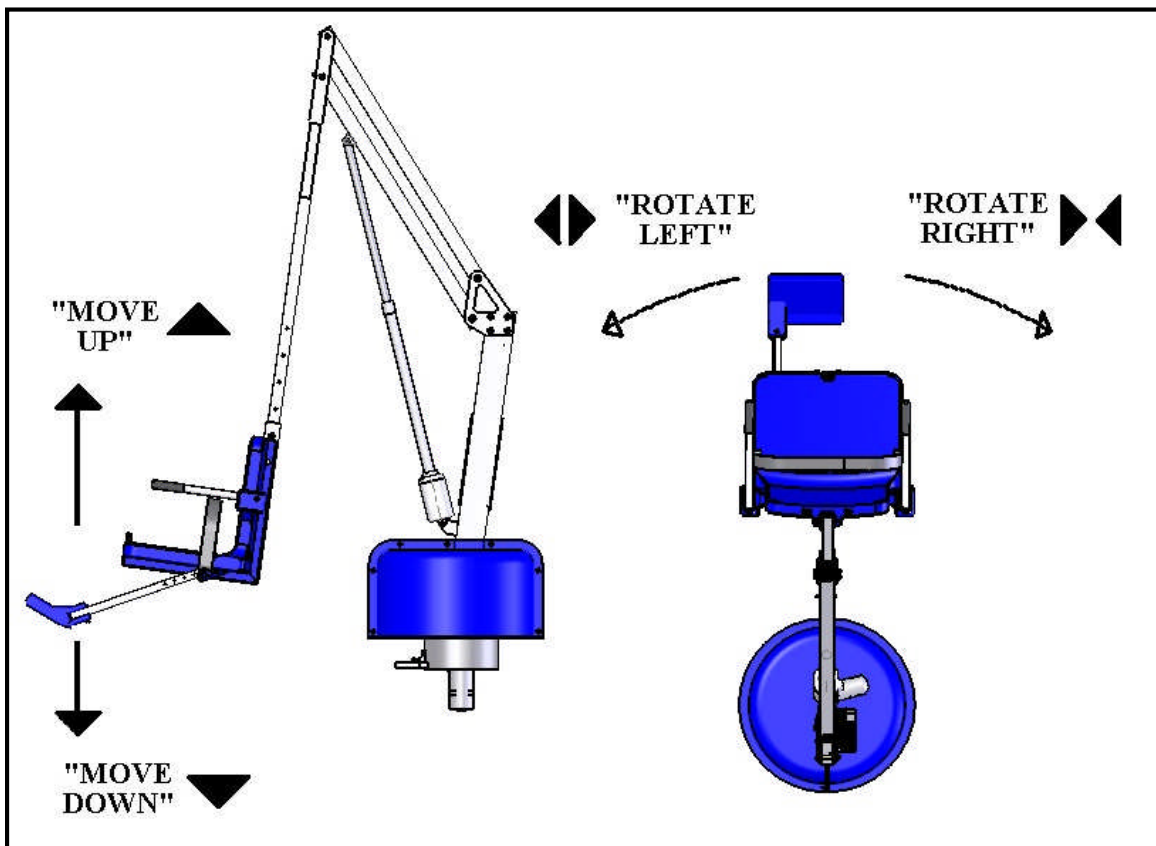
LIFT OPERATION:

Before operating the lift for the first time, the user or operator should become familiar with the Handset Control and its functions. The figure to the left gives a quick explanation of the four buttons and their function. For example, to move the lift UP, press the top left button with the ▲ symbol and hold it down until the lift has reached its desired height and then release the button. The other buttons work

in a similar fashion. In all cases, releasing the button will cause the lift to stop moving.



- TO MOVE UP PRESS AND HOLD THE ▲ BUTTON. TO STOP MOVING UP RELEASE THE BUTTON.
- TO MOVE DOWN PRESS AND HOLD THE ▼ BUTTON. TO STOP MOVING DOWN RELEASE THE BUTTON.
- TO MOVE LEFT PRESS AND HOLD THE ◀▶ BUTTON. TO STOP MOVING LEFT RELEASE THE BUTTON.
- TO MOVE RIGHT PRESS AND HOLD THE ▶◀ BUTTON. TO STOP MOVING RIGHT RELEASE THE BUTTON.





WARNING

MAKE SURE THE AREA AROUND THE TITAN LIFT IS CLEAR BEFORE OPERATING. NEVER OPERATE THE LIFT WITH ANY PERSON WITHIN THE OPERATING RANGE OF THE LIFT, INCLUDING ON THE DECK OR IN THE WATER. NEVER MOVE THE LIFT DOWN WHILE OVER THE DECK. IF THE LIFT COMES INTO CONTACT WITH THE DECK OR A WALL, RELEASE THE BUTTON IMMEDIATELY OR PRESS THE EMERGENCY STOP BUTTON. DO NOT ALLOW CHILDREN TO OPERATE THE LIFT WITHOUT SUPERVISION. DO NOT ALLOW CHILDREN TO PLAY ON OR AROUND THE LIFT AT ANY TIME.

CHECK ALL NUTS AND BOLTS FOR TIGHTNESS AND FOR WORN PARTS BEFORE EACH USE.

USING THE “EMERGENCY STOP BUTTON” on the Control Box

On the front side of the control box is a small recessed button marked “emergency”. If you take a pen or pencil or other pointed object and depress the “emergency” button, this will bypass the remote control or handset and stop the lift.

NOTE: this function will only work if there is sufficient power in the battery, the battery is properly attached to the control box, and the control box must be operating properly.



CHARGING THE BATTERY:

Before using the Titan Lift for the first time the 24V Battery must be fully charged. This will take about 24 hours on the charger. It is also recommended that the battery be fully charged before each use. The battery can be left on the Charging Unit overnight, or whenever the lift is not in use. **DO NOT LEAVE THE BATTERY ON THE LIFT!!!**



To recharge the battery, simply grip the top of the battery and depress the clip on the back of the battery. This will unclip the battery from the control box bracket. The battery can then be clipped into the wall mount charger. When the charger is plugged in the green **ON** light will illuminate. When the battery is correctly mounted to the charger, the orange **CHARGE** light will illuminate. When the battery is fully charged, the **CHARGE** light will **GO OFF** and the battery is ready to use.

CARE OF YOUR LIFT

Routine cleaning is an absolute necessity to ensure the integrity of the lift. Note that the Aqua Creek Pool Lift should not be stored in a pump room or in a storage room where pool chemicals are kept. Storing the lift near pool chemicals may cause rusting and other damage to occur. Your Aqua Creek stainless steel lift is powder coated to protect the stainless steel from rusting. Most rusting will occur at weld points, crevices, under gaskets, rivets or bolt heads.

The choice of a proper cleaning product is up to the consumer and there are many to choose from. Depending on the type of cleaning and the degree of contamination (rusting), some products are better than others. For routine cleaning the products most recommended are gentle soaps or detergents or dilute mixtures of ammonia. For stubborn spots and stains try using soft scrub with some brisk rubbing.

DO NOT USE POOL WATER TO CLEAN USE ONLY FRESH WATER

If the lift is used **DAILY** make sure to wash the lift at the end of the day. Wash the lift off using a mild soap and a soft cloth. Make sure to pay special attention to weld points and crevices. Do not use a bristled brush or steel wool to clean the lift. Check that the lift is working properly and then place the battery on the charger. It is recommended that the battery be charged after every day of use.

If the lift is used **WEEKLY** follow the same steps as above. Also be sure to check all of the contact points (terminals) for damage or corrosion. If you notice corrosion gently clean the terminals. To clean corrosion from the terminals use a q-tip and some rubbing alcohol. If the corrosion is particularly stubborn try using a 3M scotch brite pad, but be careful not to damage the terminals. Apply dielectric grease to the terminals after cleaning them. This will help to prevent further corrosion. Do not leave the battery on the lift. Always store the battery on the charger whenever the lift is not being used.

If the lift is used **MONTHLY** follow the same steps as above. Also check the nuts and bolts to make sure they are securely fastened (this is always a good idea, no matter how often or infrequently the lift is used). Also make sure to store the battery on the charger and not on the lift. Leaving the battery on the lift for extended periods will significantly shorten the battery's lifespan.

If the lift is being **STORED** for an extended period of time follow all of the steps above. Check for rusting at all crevice and weld points. If you notice rusting spray some WD-40 on the affected area and take a 3M scotch brite pad and rub briskly. Afterwards be sure to wash and rinse the lift again with soap and water. When storing the lift make sure it is in a dry area and covered. **DO NOT STORE** in or around pool chemicals.

TROUBLESHOOTING GUIDE

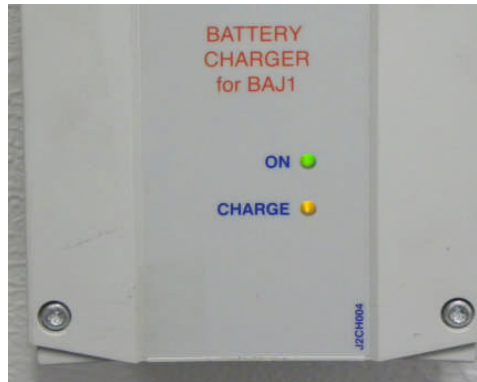
Before troubleshooting make sure the battery is fully charged.

If the lift doesn't move when the handset button is pressed:

When you can't get the lift to move check the following things:

1. Make sure the battery is fully charged:
 - A. Before charging the battery first make sure the **green** light on the front of the charger is illuminated (this means that the charger is on). Then check to make sure the silver contact points on the battery and charger are not damaged or corroded, and that they are clean. Then place the battery on the charger and look for the **orange** charge light to illuminate on the front of the charger. When the orange light goes off the battery is fully charged.

The top **green light** will always be illuminated indicating that it has power. When charging the battery the bottom **orange light** will illuminate, until fully charged.



- B. When the battery is correctly installed on the charger or control box you should hear a “click” indicating the battery is properly seated on the unit. Also note that when the battery is properly seated there should not be any gaps between the battery and the control box/charger.



Not attached properly. Note the white bracket is in front of silver clip, which will not allow for an electrical connection.



Properly Attached. Note that the white bracket is behind the silver clip. Not allowing movement.

If the battery is fully charged and the lift is not moving then:

2. Check all cords:

Check that the cords are properly plugged in. Start by unplugging the remote and the actuator cord from the control box. Once these cords are removed check the ends for corrosion or damage. Plug the remote cord back in by lining up the raised tab on the plug to the grooved line on the control box outlet. Note that these cords require some force to plug them in fully. You will know they are correctly inserted when you here a “popping sound”. The cords will be recessed into the outlet. If they are flush with the outside of the outlet they are not plugged in fully and the lift will not function. Make sure you do this for both cords.



NOT inserted fully.

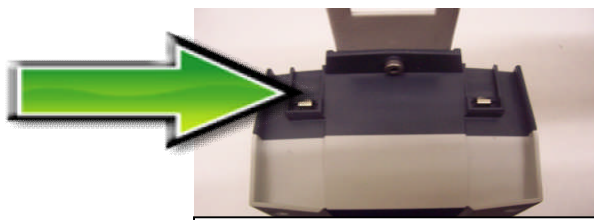


Fully inserted.

If you have checked all the cords and the lift still doesn't move:

3. Check the contact points:

After you have fully charged the battery and checked the cords to make sure they are properly plugged in, check to make sure the contact points are not corroded or bent. If the contact points are corroded take some rubbing alcohol and a q-tip and clean off the points. After cleaning the contact points it is recommended to put some dielectric grease on the contact points (terminals) to help ensure good electrical contact and prevent corrosion. Then reinstall the battery on top of the control box. Make sure you hear a “click”, which indicates that the battery is correctly seated. The lift will not work if the battery is not seated correctly.



Silver tabs are the contact (terminal) points.

If the lift stops moving over the water and is stuck:

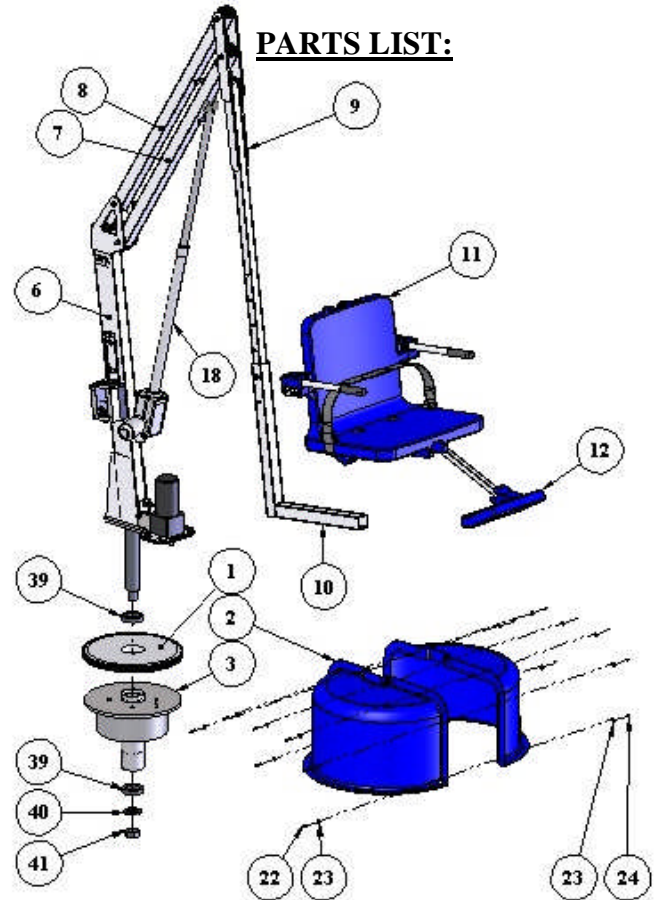
4. Push the emergency button:

If the lift gets stuck out over the water use a pen or pencil tip and stick it into the emergency button on the front of the control box to retract the lift. Note the lift will not retract if the battery is not fully charged or if the control box is not working. The emergency button only overrides the remote in case it has gone bad. If this does not retract the lift then chances are the remote is fine and you either have a problem with the battery, the control box, or the cords are damaged or not plugged in properly.

Use a pen or pencil tip to push in the small black circle located next to the word **emergency**, on the front of the control box.

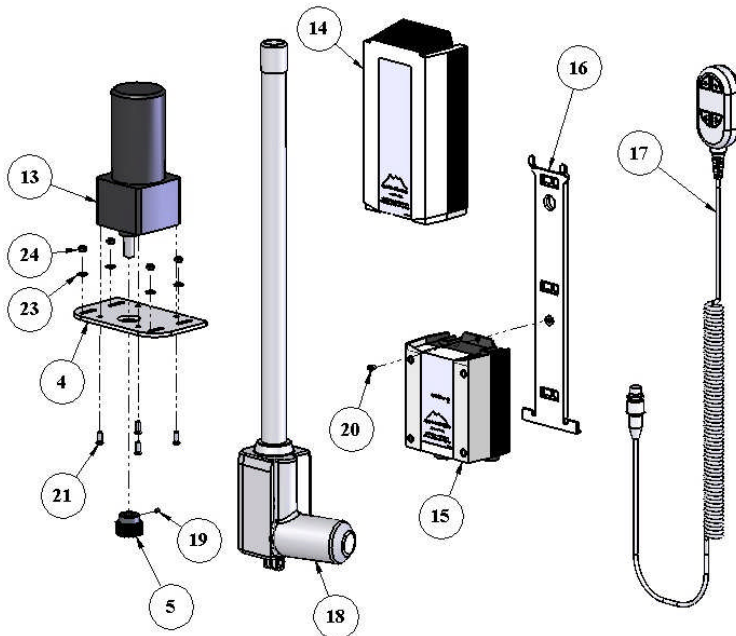


ITEM #	QTY.	PART NUMBER	DESCRIPTION
1	1	TTN-100-30	TITAN BASE GEAR
2	1	P-930	REVOLUTION/TITAN COVER
3	1	TTN-200-70	TITAN BASE ASSEMBLY, 2ND ANC
4	1	REV-310-40	REV MOTOR PLATE
5	1	REV-320-00	REVOLUTION/TITAN MOTOR GEAR
6	1	TTN-400-70	TITAN MAST ASSEMBLY
7	1	TTN-500-65	TITAN BOOM ARM
8	1	TTN-600-65	TITAN CONTROL ARM
9	1	TTN-700-65	TITAN CHAIR ARM
10	1	REV-800-10	REVOLUTION/TITAN SEAT CRADLE
11	1	SA-0904WDCA	22inch WIDE SEAT ASSEMBLY
12	1	SA-0904FRA	FOOTREST ASSEMBLY
13	1	6155	ROTATION MOTOR, 24V
14	1	BAJ100000291	24V LEAD-ACID BATTERY
15	1	CBJ2002NA001381	CONTROL BOX
16	1	MBJ2-01	BATTERY/CB BRACKET
17	1	HB00-U010-00	HANDSET CONTROL
18	1	340643-00	ELECTRIC LINEAR ACTUATOR
19	1	SET SCREW, 1/4 X 1/4 SS	1/4"-20 X 1/4" SETSCREW, SS
20	3	BOLT, 10-24 X 1/2 SHCS	#10-24 X 1/2" LOW PROFILE CAP SCREW, S.S.
21	4	BOLT, COUNTERSINK 1/4 X 1 FHSCS	1/4"-20 X 1" FLAT HEAD CAPSCREW, S.S.
22	7	BOLT, 1/4 X 1 HCS	1/4"-20 X 1" HEX BOLT, S.S.
23	18	FLAT WASHER, 1/4 SS	1/4" FLAT WASHER, S.S.
24	11	NYLOCK, 1/4 SS	1/4"-20 NYLOCK NUT, S.S.
25	1	BOLT, 5/16 X 4 1/2 HCS	5/16" x 4-1/2" HEX BOLT, SS
26	4	FLAT WASHER, 5/16 SS	5/16" FLAT WASHER, S.S.
27	3	NYLOCK, 5/16 SS	5/16"-18 NYLOCK NUT, S.S.
28	1	BOLT, 3/8 X 1 1/4 SHOULDER	3/8" X 1-1/4" SHOULDER BOLT, SS
29	1	BOLT, 3/8 X 2 SHOULDER	3/8" X 2" SHOULDER BOLT, SS
30	2	BOLT, 3/8 X 3 3/4 HCS	3/8" X 3-3/4" HEX BOLT, SS
31	4	BOLT, 3/8 X 3 1/2 HCS	3/8"-16 X 3-1/2" HEX BOLT, S.S.
32	14	FLAT WASHER, 3/8 SS	3/8" FLAT WASHER, S.S.
33	9	NYLOCK, 3/8 SS	3/8"-16 NYLOCK NUT, S.S.
34	4	BOLT, 1/2 X 3 SHOULDER	1/2" X 3" SHOULDER BOLT, SS
35	1	SS-1216-4	3/8" X 1/2" X 1/4" SLEEVE BUSHING
36	2	SS-1216-6	3/8" X 1/2" X 3/8" SLEEVE BUSHING
37	8	SS-1620-6	1/2" X 5/8" X 3/8" SLEEVE BUSHING
38	8	FB-810-5	1/2" X 5/8" X 5/8" FLANGE BUSHING
39	2	LM104911/LM104949	3-1/4" X 2" X 5/8" TPRD-ROLLER BEARING/RACE
40	1	FLAT WASHER, 1 1/2 SS	1-1/2" FLAT WASHER
41	1	NYLOCK, 1 3/8, SS	1-3/8"-6 NYLOCK NUT
42	4	SQR-2-10-14	2" SQUARE TUBE CAP, PLASTIC
43	1	SQR-1-1/2-10-14	1-1/2" SQUARE TUBE CAP, PLASTIC

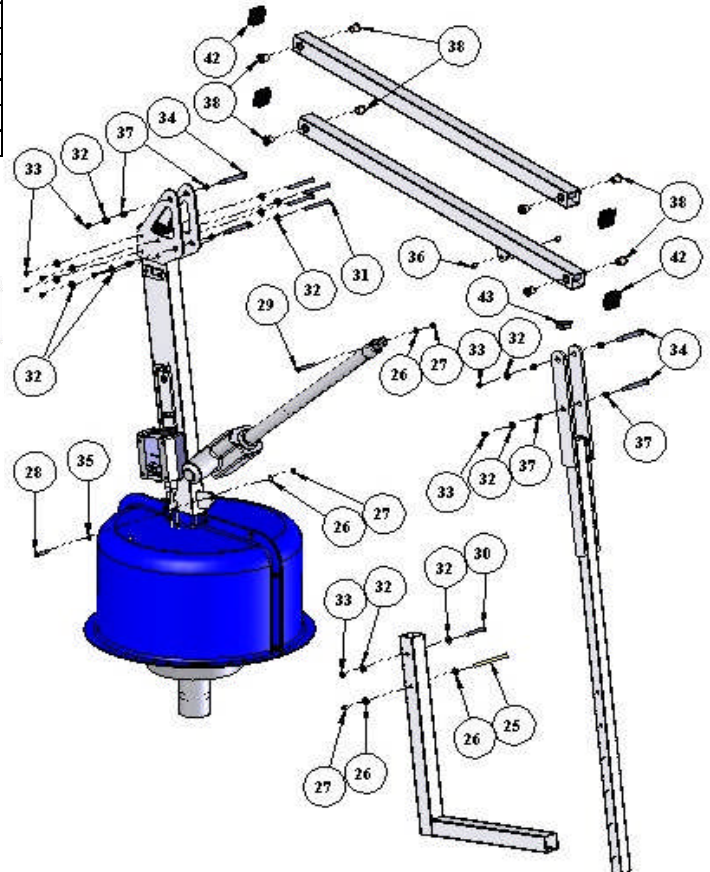


PARTS LIST:

MAIN COMPONENTS



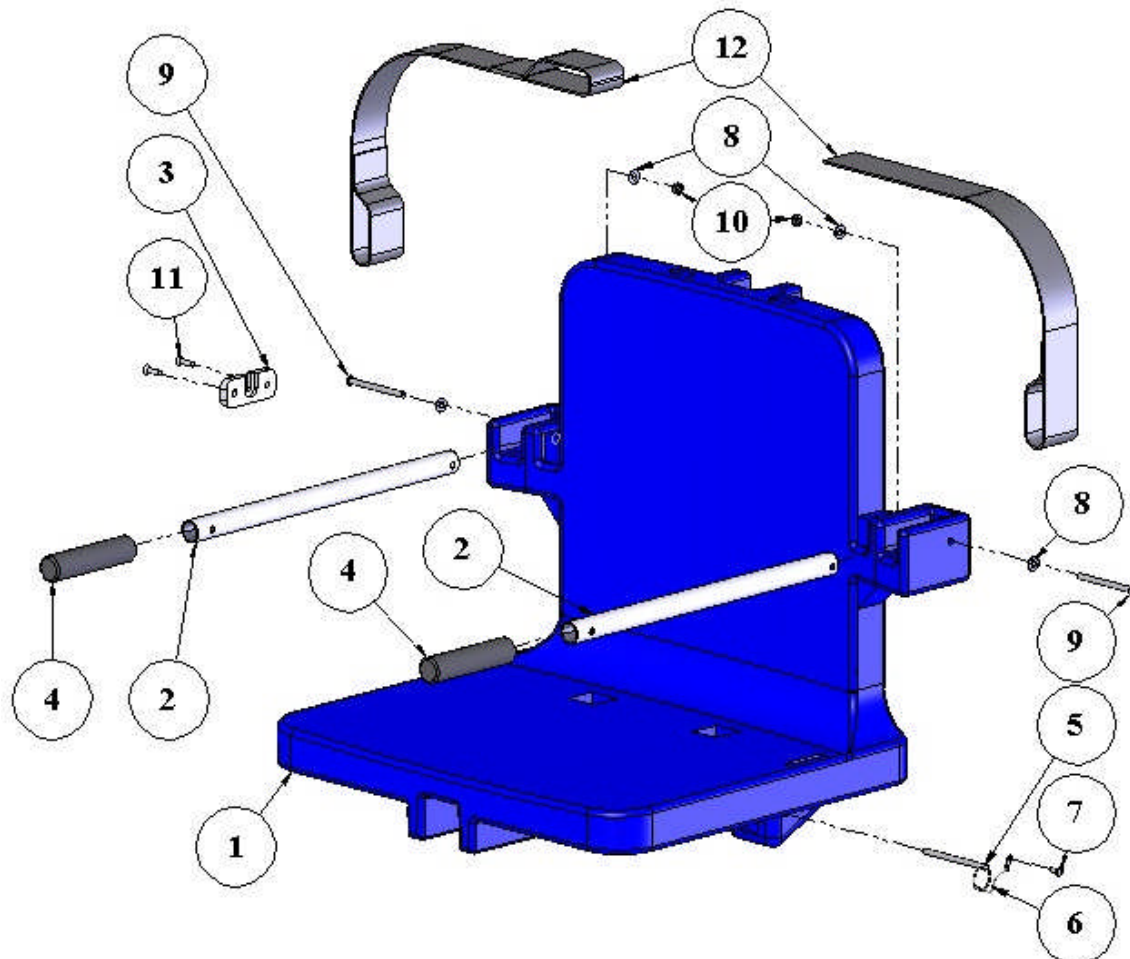
ELECTRICAL



HARDWARE

PARTS LIST: SEAT ASSEMBLY

ITEM#	QTY.	PART NUMBER	DESCRIPTION
1	1	P-905	22" WIDE CHAIR, LLDPE
2	2	P-2100FLA-A	CHAIR ARMREST TUBE
3	1	P-1208HSB	HANDSET BRACKET
4	2	RUBBER HAND GRIP	RUBBER HAND GRIPS
5	1	COTTER PIN, 1/4 X 3 1/4	1/4" X 3-1/4" QUICK-PULL PIN
6	1	LANYARD	SS LANYARD FOR FOOTREST
7	1	SCREW, #10 X 3/4 PHSMS	#10 X 3/4" PAN-HEAD SHEET-MTL SCR, SS
8	4	FLAT WASHER, 1/4 SS	1/4" FLAT WASHER, SS
9	2	BOLT, 1/4 X 3 1/4 BHSCS	1/4" X 3-1/4" BUTTON-HD CAP SCREW, SS
10	2	NYLOCK, 1/4 SS	1/4"-20 NYLOCK NUT, SS
11	2	SCREW, #12 X 3/4 FHSMS	#12 X 3/4" FLAT-HD SMS, SS
12	1	F-38SB	SAFETY BELT



Aqua Creek Products, LLC Limited Warranty: **TITAN™ LIFT**

Aqua Creek Products lifts have a **Limited Lifetime Warranty** on the frames, not including the powder coat finish. Aqua Creek Products, LLC (a.k.a. Aqua Creek) also warrants to the original end user that all non-frame components manufactured by Aqua Creek, when properly installed in accordance with assembly and installation instructions, and properly used and maintained, shall be free from defects in material and workmanship for a period of five (5) years from the date of original purchase, provided that Aqua Creek receives prompt notice in writing of any defect or failure and satisfactory proof thereof, with the following exceptions:

Exception : All electrical components, including the linear actuator shall have the following warranty period:

Year 1-2: 100% Coverage

Year 3: 60% Coverage (Customer is responsible for 40% of replacement cost)

Year 4: 50% Coverage (Customer is responsible for 50% of replacement cost)

Year 5: 40% Coverage (Customer is responsible for 60% of replacement cost)

This warranty specifically excludes reimbursement for labor to remove, repair, or install the product and any return freight charges.

These warranties do not cover any damages due to accident, misuse, abuse, negligence or failure to properly maintain any products, or normal wear and tear from day to day operations. In the event that any products are altered, repaired, or improperly installed or improperly used by anyone without the prior written approval by Aqua Creek, all warranties are void. **IMPORTANT: AMOUNT OF WEIGHT PLACED ON LIFT SHALL NOT EXCEED THE RATED LIFTING CAPACITY OF 600 POUNDS [272 kg] FOR THE TITAN™ LIFT.**

To initiate a warranty claim, the owner of an Aqua Creek product must provide the place of purchase, in writing, with a full description of the product, its serial number, the dates of purchase and installation, and the exact nature of the defect. Within thirty (30) days after receipt of a written warranty claim by Aqua Creek, and barring any unforeseen delays, the place of purchase will be notified of Aqua Creek's decision regarding the claim.

If requested by Aqua Creek, any defective product must be returned, freight prepaid, to Aqua Creek's designated factory location or duly appointed distributor for inspection and/or repair. Aqua Creek will, at its option, repair or replace the failed or defective item, and deliver the repaired product or replacement to the buyer of the product, freight prepaid to the destination provided for in the original order. Products returned to Aqua Creek for which Aqua Creek provides replacement under this limited warranty shall become the property of Aqua Creek.

A new warranty period shall NOT be established for the repaired or replaced products. Such products shall remain under warranty only for the remainder of the original warranty period on the original products purchased.

This written limited warranty constitutes the final, complete and exclusive statement of warranty terms. No person or organization is authorized to make any other specific or implied warranties or representations on behalf of Aqua Creek.

THE WARRANTIES SET FORTH HEREIN ARE IN LIEU OF ALL OTHER WARRANTIES, EXPRESSED OR IMPLIED, WHICH ARE HEREBY DISCLAIMED AND EXCLUDED, INCLUDING WITHOUT LIMITATION ANY WARRANTY OF MERCHANTABILITY OR FITNESS FOR A PARTICULAR PURPOSE OR USE.

THE SOLE AND EXCLUSIVE REMEDIES FOR BREACH OF ANY AND ALL WARRANTIES WITH RESPECT TO THE PRODUCTS SHALL BE LIMITED TO REPAIR OR REPLACEMENT AT AQUA CREEK'S DESIGNATED FACTORY LOCATION, OR DULY APPOINTED DISTRIBUTOR, OR IN PLACE AT AQUA CREEK'S OPTION. IN NO EVENT SHALL AQUA CREEK'S LIABILITY EXCEED THE ENTIRE AMOUNT PAID TO AQUA CREEK BY THE ORIGINAL PURCHASER FOR THE FAILED OR DEFECTIVE PRODUCT.

IN NO EVENT SHALL AQUA CREEK PRODUCTS, LLC BE LIABLE FOR ANY INCIDENTAL, CONSEQUENTIAL, SPECIAL, INDIRECT, PUNITIVE OR EXEMPLARY DAMAGES OR LOST PROFITS FROM ANY BREACH OF THIS LIMITED WARRANTY OR OTHERWISE.

THIS WARRANTY GIVES YOU SPECIFIC LEGAL RIGHTS AND YOU MAY ALSO HAVE OTHER RIGHTS, WHICH MAY VARY FROM STATE TO STATE.

SOME STATES DO NOT ALLOW THE EXCLUSION OR LIMITATION OF INCIDENTAL, SPECIAL OR CONSEQUENTIAL DAMAGES, SO SOME OF THE ABOVE LIMITATIONS OR EXCLUSIONS MAY NOT APPLY TO YOU.

Aqua Creek Products
9889 Garrymore Lane
Missoula, MT 59808